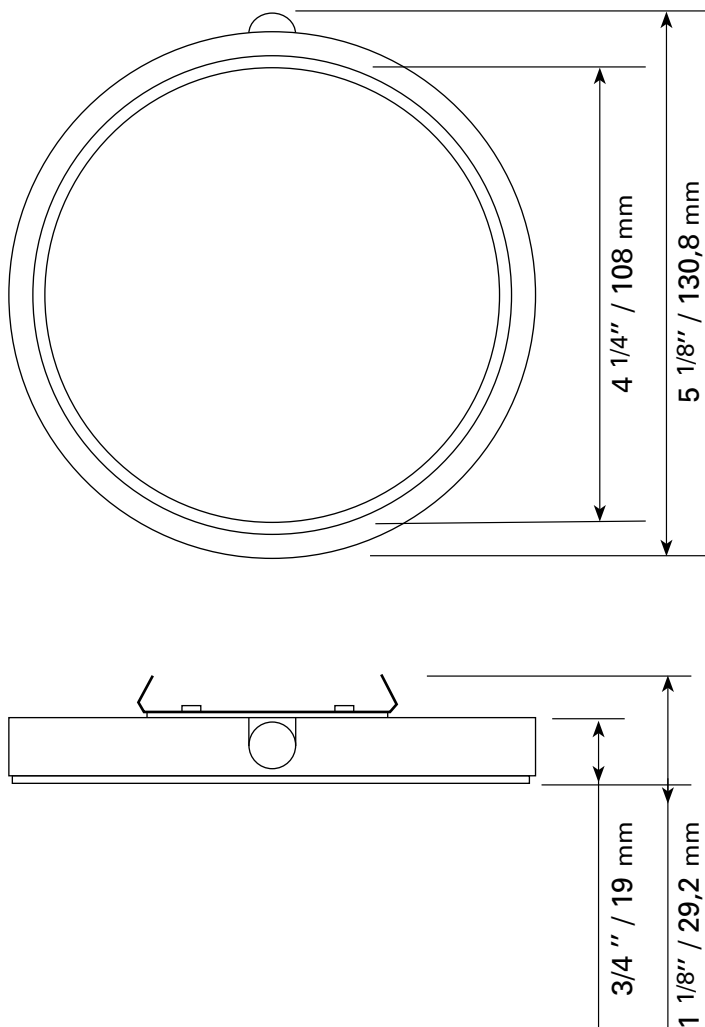


CHL5R-MSD-30K

TECHNICAL SPECIFICATIONS

- Sizes: 5 1/8" dia. x 1 1/8" H
- Color: WH-White,
- 120 VOLTS
- 8 Watts integrated LED
- 500 LUMENS
- Degrees Kelvin: 3000K
- CRI: > 80
- SDCM: < 7
- Fits on an octagon junction box, mounting hardware included
- Approved for wet locations
- The ceiling light turns on with the motion detector

DIMENSIONS / CHL5R-MSD



4300 Grande-Allée Blvd, Boisbriand
QC, Canada J7H 1M9

450 979-0667

info@lumifaro.com
www.lumifaro.com

CLIENT:

PROJECT:

DATE: