

FLP4G-10W-3CCT-WH-2H

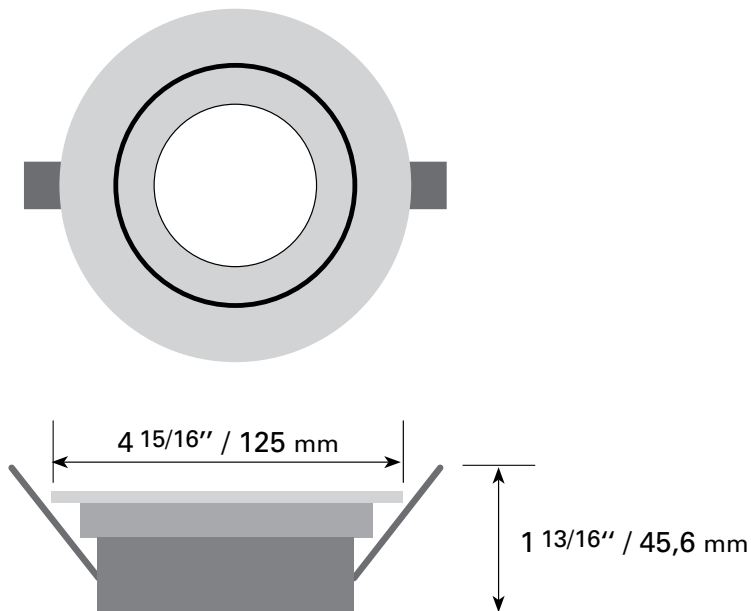
TECHNICAL SPECIFICATIONS

- Sizes: 4 15/16" dia. x 1 13/16" H
- Colours: WH-White
- 120 VOLTS / LED 10 WATTS
- 750 LUMENS
- **Degrees Kelvin: 2700K / 3000K / 4000K to choose with the selection button**
- Beam angle: 120° / CRI : > 80
- 4 3/8" hole to be drilled
- Operating temperature: from -30° to +40°
- Closed endorsement, IC for insulated ceilings
- Approved for damp locations
- Junction box for hardwiring and driver included

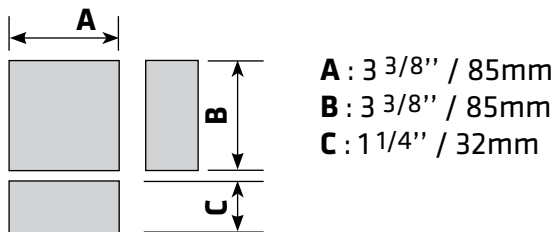
ACCESSORIES AVAILABLE

- Plaster frame **PF-414** or **PF-418**
- 6 ft extension **FLP-EX6-CCT**

RECESSED LIGHTING DIMENSIONS



JUNCTION BOX DIMENSIONS



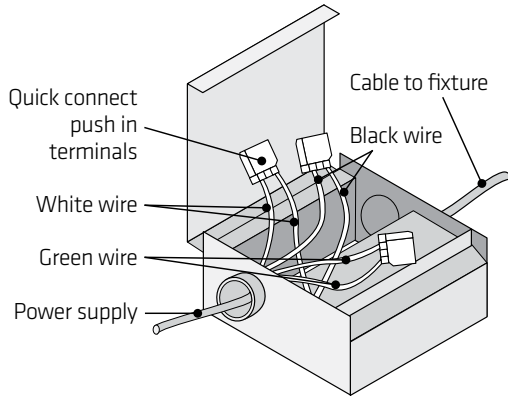
4300 Grande-Allée Blvd, Boisbriand
QC, Canada J7H 1M9

450 979-0667
info@lumifaro.com
www.lumifaro.com

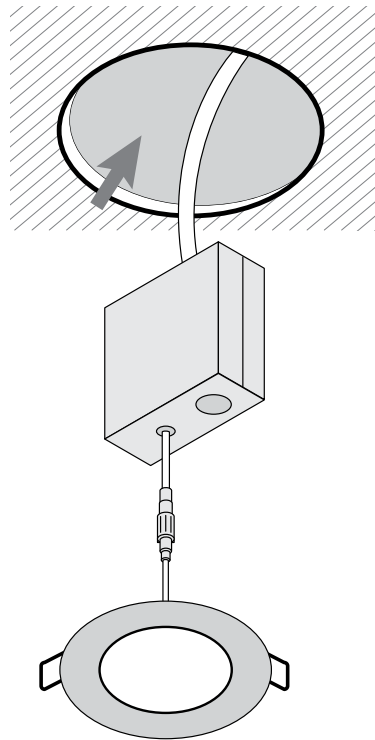
CLIENT:
PROJECT:
DATE:

EASY INSTALLATION

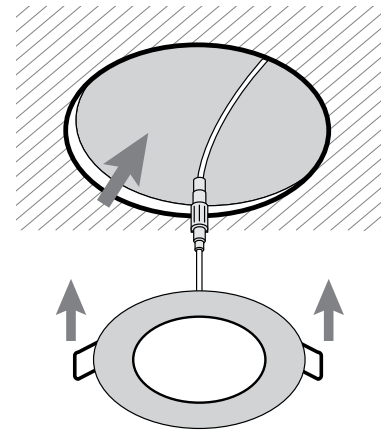
1.



2.



3.



While our ultra-slim LED ceiling lights function with most dimmers and dimmers generally have a maximum 150-Watt rating for LED units, we strongly recommend that you not exceed 80% of this capacity in order to avoid lighting flicker when the dimmer is at its lowest setting. For example, we recommend a maximum of 8 6-inch units (120 Watts total) or 13 4-inch units (total 117 Watts).

CAUTION: ALWAYS CLOSE ELECTRICAL CURRENT BEFORE CONNECTING A LED DEVICE, otherwise the driver will be affected.