

FLPB-4F / FLPB-4D - 10W-30K CONTRACTOR

FLPB-4F (Trim) / #FLPB-4D (Driver)
Purchases must be in batches of 12 at a time.

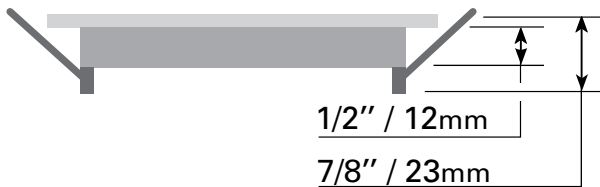
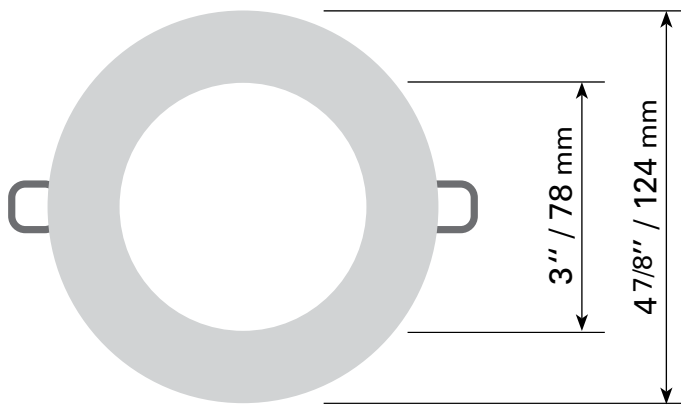
TECHNICAL SPECIFICATIONS

- Sizes: 4 7/8" dia. x 7/8" H
- Colours: WH-White
- 120 VOLTS / LED 10 WATTS
- 750 LUMENS
- Degrees Kelvin: 3000K
- Beam angle: 110° / IRC : > 80
- 4 1/8" or 4 1/4" hole to be drilled
- IC and Airtight
- Approved for damp locations
- Operating temperature: from -25° to + 45°

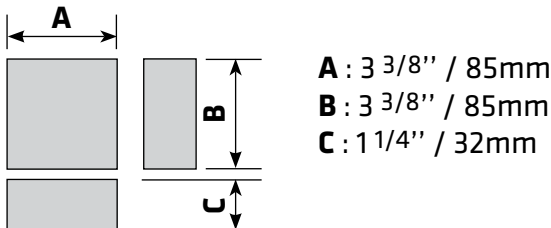
ACCESSORIES AVAILABLE

- Plaster frame **PF-414** or **PF-418**
- 6 ft extension **FLP-EX6**

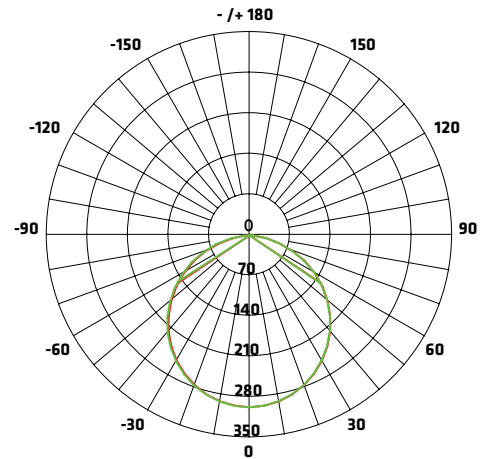
RECESSED LIGHTING DIMENSIONS



JUNCTION BOX DIMENSIONS



LUMINOUS INTENSITY DISTRIBUTION DIAGRAM



AVERAGE BEAM ANGLE (50%): 107.7°
 Unit: CD — CO/180,107.8° — C90/270,107.7°

FIGURE AAI

Flux out: 587.8 1m

Height	E avg	E max	Diameter
1 m	98.76	307.3 Lx	272.63 cm
2 m	24.69	76.84 Lx	545.26 cm
3 m	10.97	34.15 Lx	817.89 cm
4 m	6.172	19.21 Lx	1090.52 cm
5 m	3.950	12.29 Lx	1363.15 cm
6 m	2.743	8.537 Lx	1635.78 cm
7 m	2.015	6.272 Lx	1908.41 cm
8 m	1.543	4.802 Lx	2181.04 cm
9 m	1.219	3.794 Lx	2453.67 cm
10 m	0.9876	3.073 Lx	2726.30 cm

Angle: 107.47 deg

Note: The curves indicate the illuminated area and the average illumination when the luminaire is at different distance.



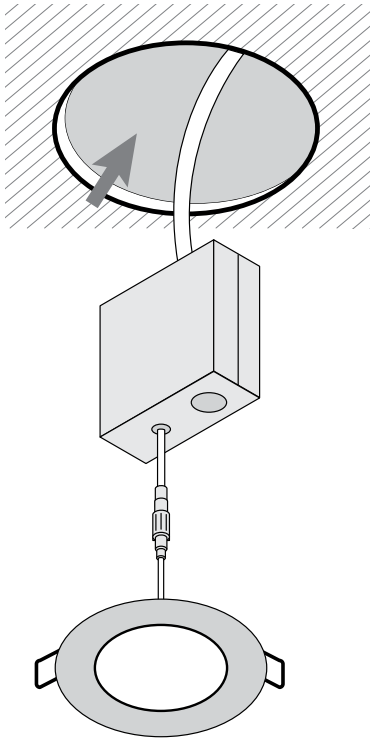
4300 Grande-Allée Blvd, Boisbriand
 QC, Canada J7H 1M9

450 979-0667
 info@lumifaro.com
 www.lumifaro.com

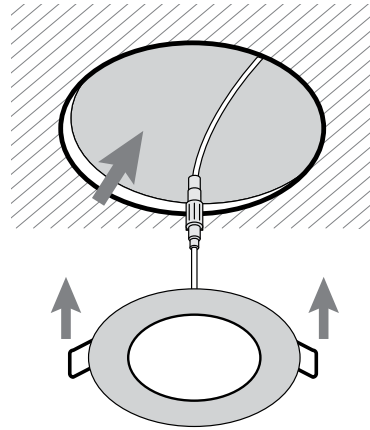
CLIENT:
PROJECT:
DATE:

EASY INSTALLATION

1.



2.



While our ultra-slim LED ceiling lights function with most dimmers and dimmers generally have a maximum 150-Watt rating for LED units, we strongly recommend that you not exceed 80% of this capacity in order to avoid lighting flicker when the dimmer is at its lowest setting. For example, we recommend a maximum of 8 6-inch units (120 Watts total) or 13 4-inch units (total 117 Watts).

CAUTION: ALWAYS CLOSE ELECTRICAL CURRENT BEFORE CONNECTING A LED DEVICE, otherwise the driver will be affected.