

FLP6G-15W-30K/40K

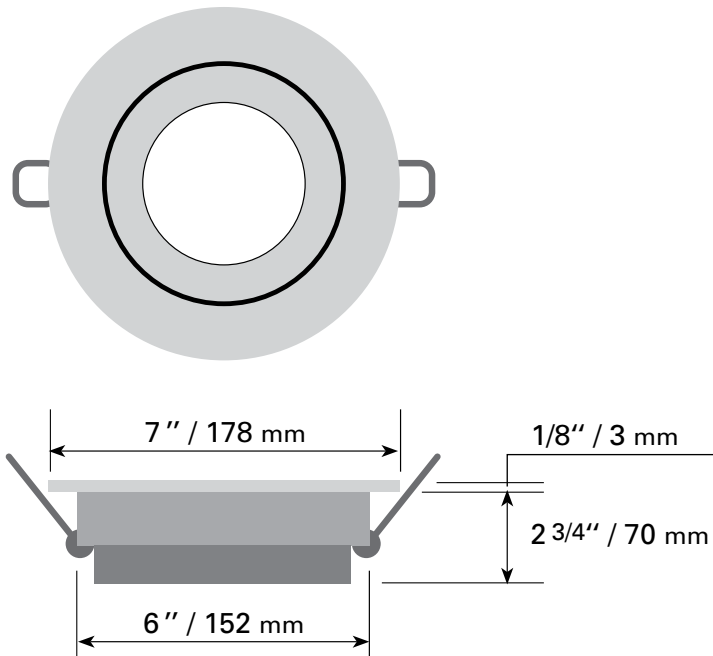
TECHNICAL SPECIFICATIONS

- Sizes: 7" dia. x 2 3/4" H
- Colours: WH-White, BS-Brushed steel, BK-Black
- 120 VOLTS / LED 15 WATTS
- 1100 LUMENS
- Beam angle: 38° / CRI : > 80
- 6 1/4" hole to be drilled
- **Degrees Kelvin: 3000K, 4000K to choose with the selection button**
- Closed endorsement, IC for insulated ceilings
- Approved for damp locations
- Junction box for hardwiring and driver included

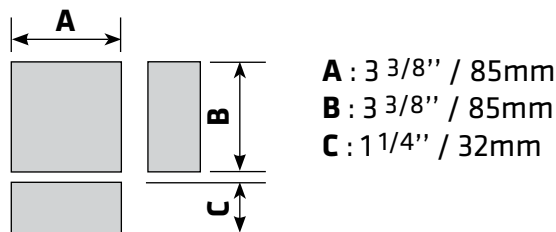
ACCESSORIES AVAILABLE

- Plaster frame **PF-614**
- 6 ft extension **FLP-EX6-CCT**

RECESSED LIGHTING DIMENSIONS



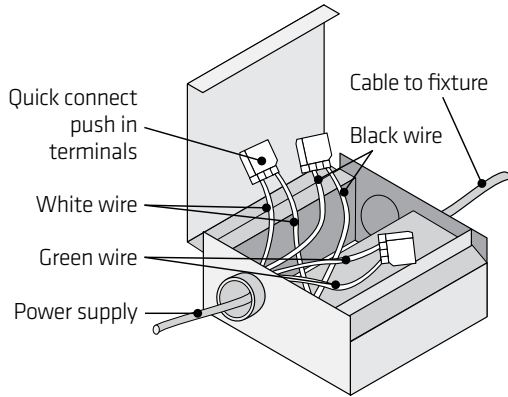
JUNCTION BOX DIMENSIONS



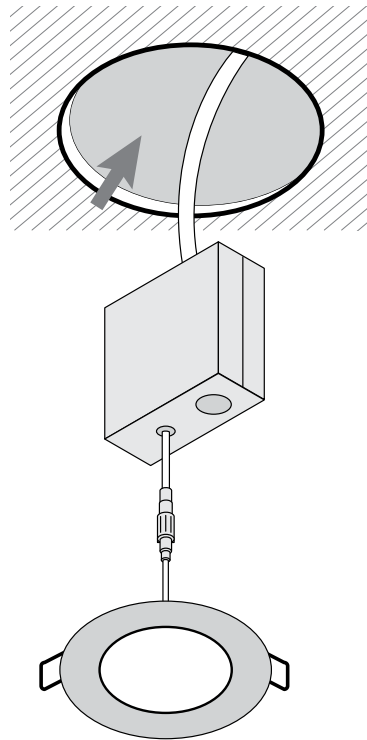
CLIENT:
PROJECT:
DATE:

EASY INSTALLATION

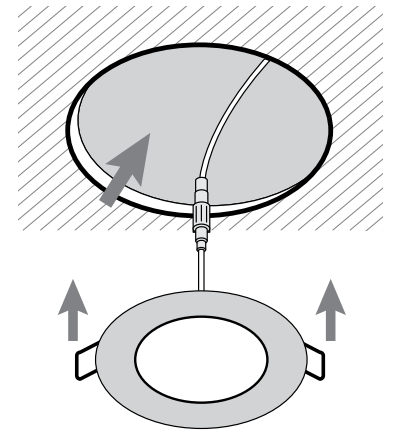
1.



2.



3.



While our ultra-slim LED ceiling lights function with most dimmers and dimmers generally have a maximum 150-Watt rating for LED units, we strongly recommend that you not exceed 80% of this capacity in order to avoid lighting flicker when the dimmer is at its lowest setting. For example, we recommend a maximum of 8 6-inch units (120 Watts total) or 13 4-inch units (total 117 Watts).

CAUTION: ALWAYS CLOSE ELECTRICAL CURRENT BEFORE CONNECTING A LED DEVICE, otherwise the driver will be affected.