

FLP4SG-10W-30K/40K

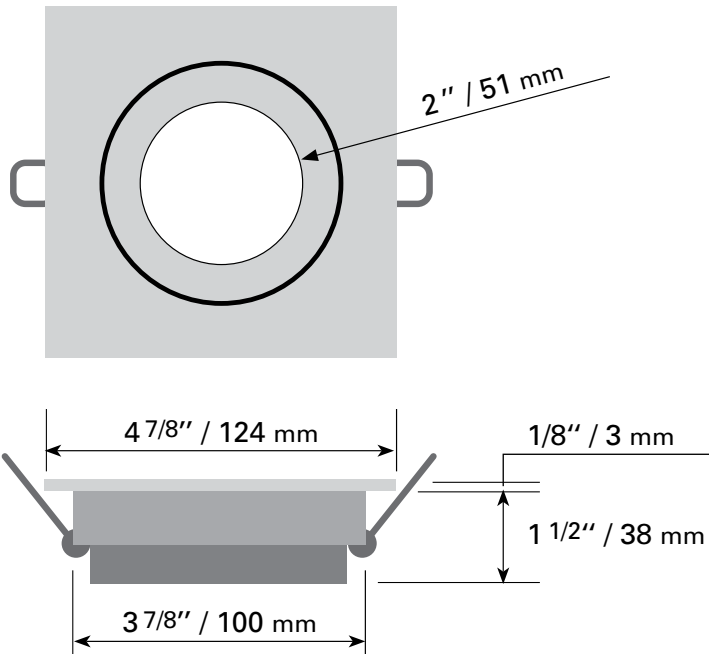
TECHNICAL SPECIFICATIONS

- Sizes: 4 7/8" dia. x 1 5/8" H
- Colours: WH-White, BS-Brushed steel, BK-Black
- 120 VOLTS / LED 10 WATTS
- 750 LUMENS
- **Degrees Kelvin: 3000K, 4000K to choose with the selection button**
- Beam angle: 38° / CRI : > 80
- 4 1/8" or 4 1/4" round hole to be drilled
- Closed endorsement, IC for insulated ceilings
- Approved for damp locations
- Junction box for hardwiring and driver included

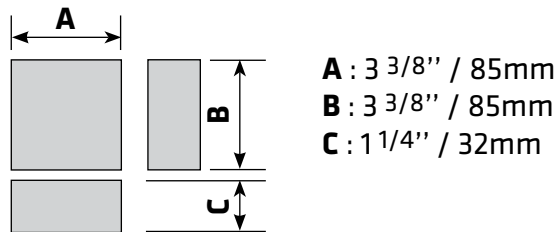
ACCESSORIES AVAILABLE

- Plaster frame **PF-414** or **PF-418**
- 6 ft extension **FLP-EX6-CCT**

RECESSED LIGHTING DIMENSIONS



JUNCTION BOX DIMENSIONS



LUMINOUS INTENSITY DISTRIBUTION DIAGRAM

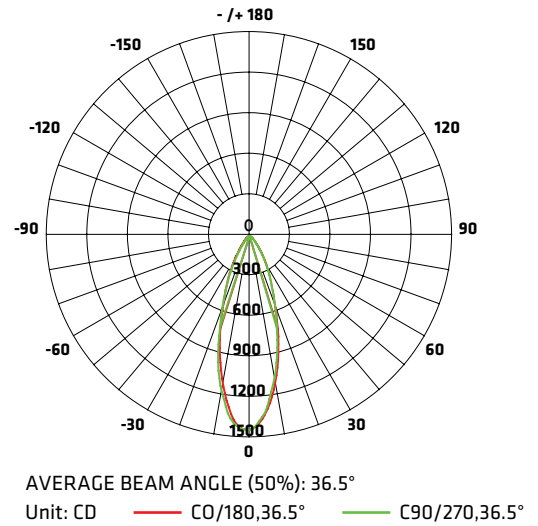


FIGURE AAI

Flux out: 329.1 1m

Height	E avg	E max	Diameter
1 m	883.4	1390 Lx	65.96 cm
2 m	220.9	347.5 Lx	131.92 cm
3 m	98.16	154.4 Lx	197.89 cm
4 m	55.22	86.87 Lx	263.85 cm
5 m	35.34	55.59 Lx	329.81 cm
6 m	24.54	38.61 Lx	395.77 cm
7 m	18.03	28.36 Lx	461.73 cm
8 m	13.80	21.72 Lx	527.70 cm
9 m	10.91	17.16 Lx	593.66 cm
10 m	8.834	13.90 Lx	659.62 cm

Height E avg E max Angle: 36.51 deg Diameter

Note: The curves indicate the illuminated area and the average illumination when the luminaire is at different distance.



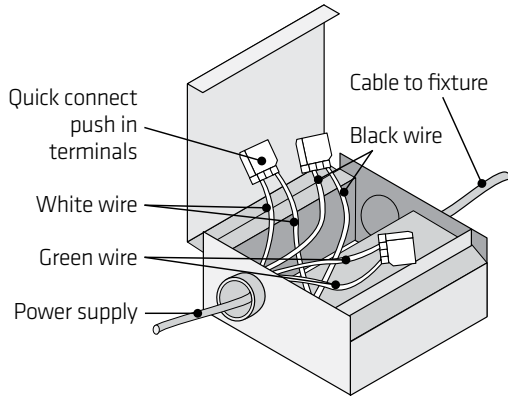
4300 Grande-Allée Blvd, Boisbriand
QC, Canada J7H 1M9

450 979-0667
info@lumifaro.com
www.lumifaro.com

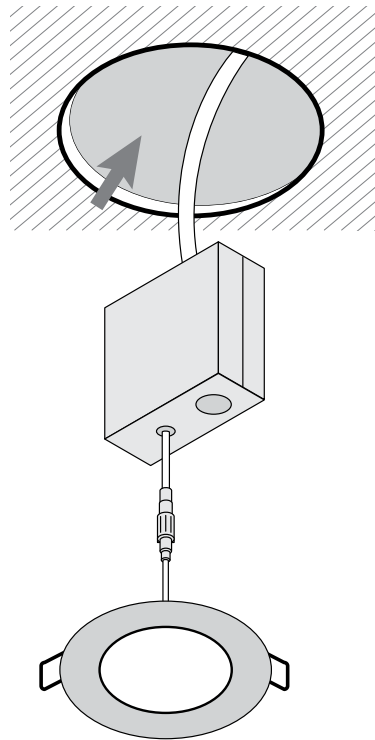
CLIENT:
PROJECT:
DATE:

EASY INSTALLATION

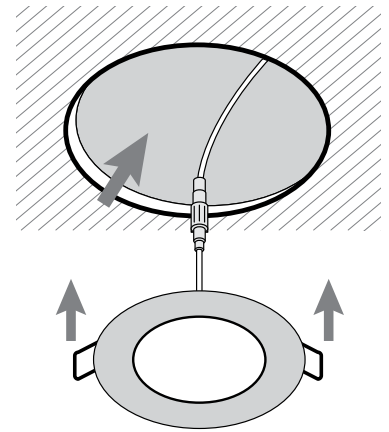
1.



2.



3.



While our ultra-slim LED ceiling lights function with most dimmers and dimmers generally have a maximum 150-Watt rating for LED units, we strongly recommend that you not exceed 80% of this capacity in order to avoid lighting flicker when the dimmer is at its lowest setting. For example, we recommend a maximum of 8 6-inch units (120 Watts total) or 13 4-inch units (total 117 Watts).

CAUTION: ALWAYS CLOSE ELECTRICAL CURRENT BEFORE CONNECTING A LED DEVICE, otherwise the driver will be affected.