

FLP4S-10W-30K/40K

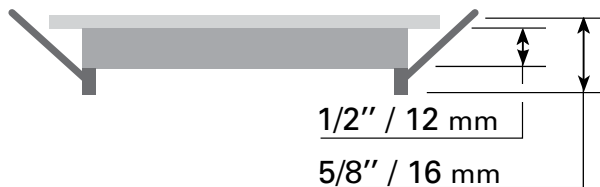
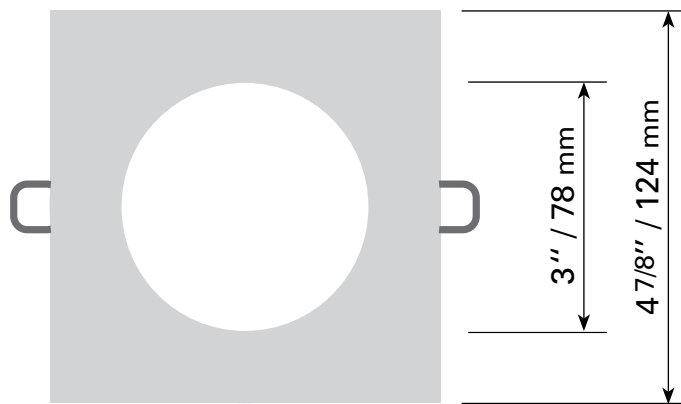
TECHNICAL SPECIFICATIONS

- Sizes: 4 7/8" dia. x 5/8" H
- Colours: WH-White, BK-Black
- 120 VOLTS / LED 10 WATTS
- 750 LUMENS
- Degrees Kelvin: 3000K, 4000K to choose with the selection button**
- Beam angle: 110° / IRC : > 80
- 4 1/8" or 4 1/4" hole to be drilled
- IC and Airtight
- Approved for damp locations
- Operating temperature: from -25° to +45°

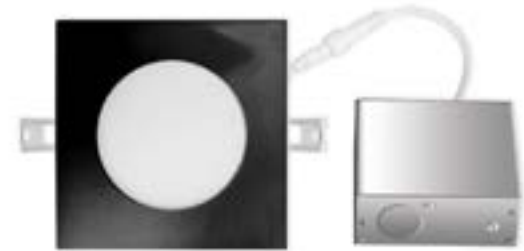
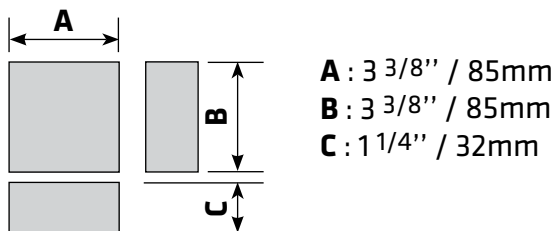
ACCESSORIES AVAILABLE

- Plaster frame **PF-414** or **PF-418**
- 6 ft extension **FLP-EX6-CCT**

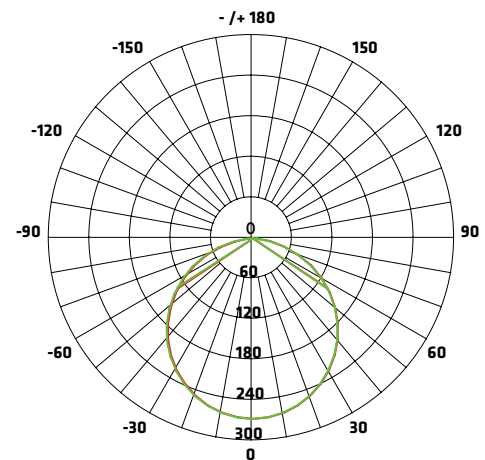
RECESSED LIGHTING DIMENSIONS



JUNCTION BOX DIMENSIONS



LUMINOUS INTENSITY DISTRIBUTION DIAGRAM



AVERAGE BEAM ANGLE (50%): 114.3°

Unit: CD — CO/180,114.3° — C90/270,114.3°

FIGURE AAI

Flux out: 601.7 1m

Height	E avg	E max	Diameter
1 m	63.84	264.5 Lx	309.09 cm
2 m	15.96	66.13 Lx	618.18 cm
3 m	7.094	29.39 Lx	927.26 cm
4 m	3.990	16.53 Lx	1236.35 cm
5 m	2.554	10.58 Lx	1545.44 cm
6 m	1.773	7.348 Lx	1854.53 cm
7 m	1.303	5.399 Lx	2163.62 cm
8 m	0.9975	4.133 Lx	2472.70 cm
9 m	0.7882	3.266 Lx	2781.79 cm
10 m	0.6384	2.645 Lx	3090.88 cm

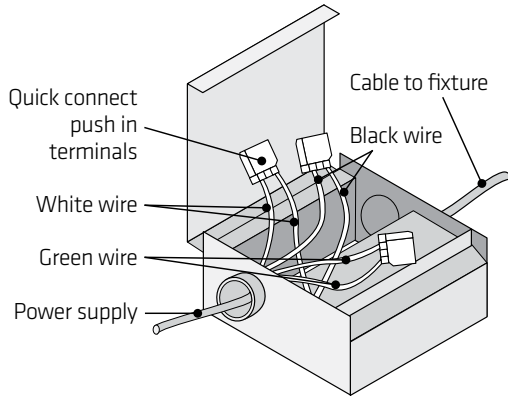
Angle: 114.19 deg

Note: The curves indicate the illuminated area and the average illumination when the luminaire is at different distance.

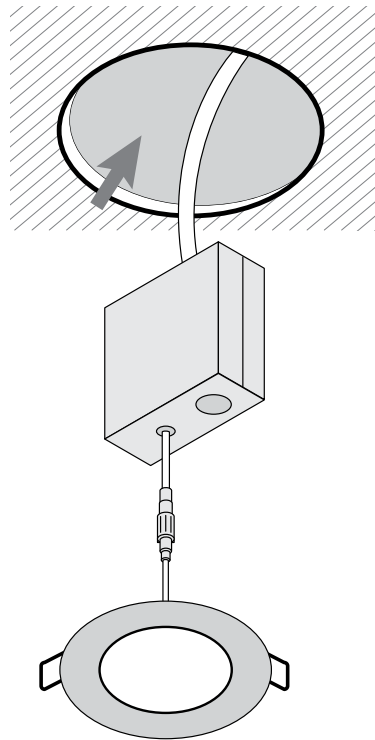
CLIENT:
PROJECT:
DATE:

EASY INSTALLATION

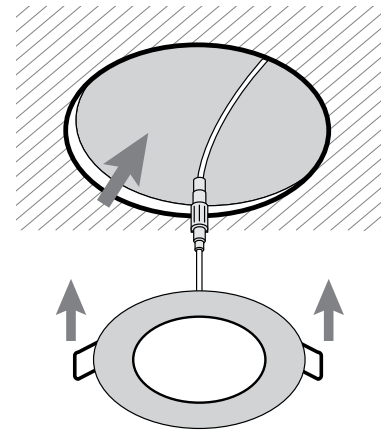
1.



2.



3.



While our ultra-slim LED ceiling lights function with most dimmers and dimmers generally have a maximum 150-Watt rating for LED units, we strongly recommend that you not exceed 80% of this capacity in order to avoid lighting flicker when the dimmer is at its lowest setting. For example, we recommend a maximum of 8 6-inch units (120 Watts total) or 13 4-inch units (total 117 Watts).

CAUTION: ALWAYS CLOSE ELECTRICAL CURRENT BEFORE CONNECTING A LED DEVICE, otherwise the driver will be affected.