

FLP4-10W-27K/30K/40K

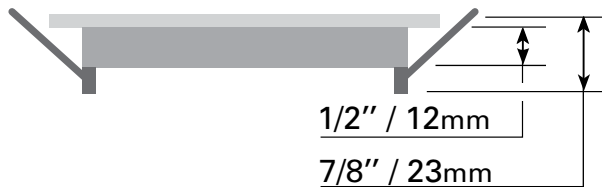
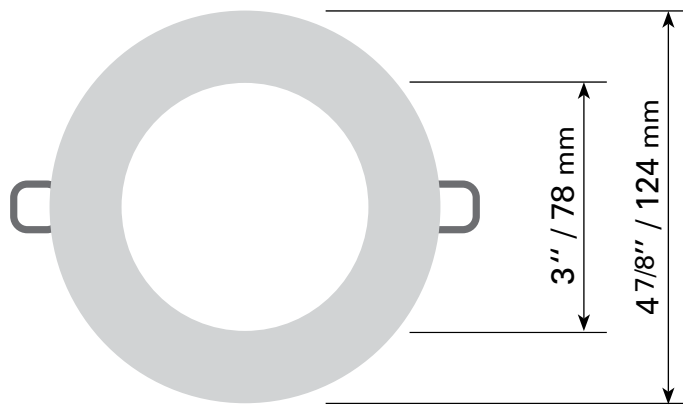
TECHNICAL SPECIFICATIONS

- Sizes: 4 7/8" dia. x 7/8" H
- Colours: WH-White, BK-Black
- 120 VOLTS / LED 10 WATTS
- 750 LUMENS
- Degrees Kelvin: 2700K / 3000K / 4000K to choose with the selection button**
- Beam angle: 110° / IRC : > 80
- 4 1/4" hole to be drilled
- IC and Airtight
- Approved for damp locations
- Operating temperature: from -25° to +45°

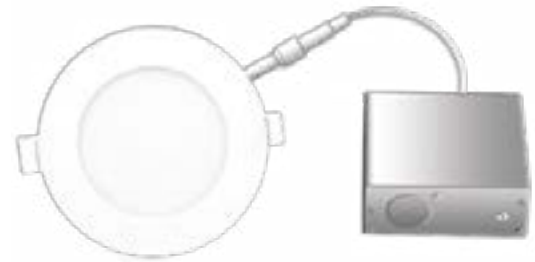
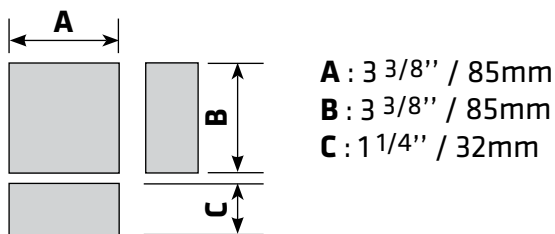
ACCESSORIES AVAILABLE

- Plaster frame **PF-414** or **PF-418**
- 6 ft extension **FLP-EX6-CCT**

RECESSED LIGHTING DIMENSIONS



JUNCTION BOX DIMENSIONS



LUMINOUS INTENSITY DISTRIBUTION DIAGRAM

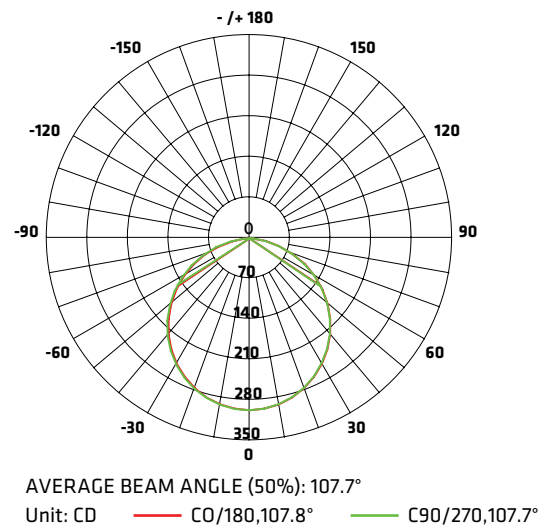


FIGURE AAI

Flux out: 587.8 1m

Height	E avg	E max	Diameter
1 m	98.76	307.3 Lx	272.63 cm
2 m	24.69	76.84 Lx	545.26 cm
3 m	10.97	34.15 Lx	817.89 cm
4 m	6.172	19.21 Lx	1090.52 cm
5 m	3.950	12.29 Lx	1363.15 cm
6 m	2.743	8.537 Lx	1635.78 cm
7 m	2.015	6.272 Lx	1908.41 cm
8 m	1.543	4.802 Lx	2181.04 cm
9 m	1.219	3.794 Lx	2453.67 cm
10 m	0.9876	3.073 Lx	2726.30 cm

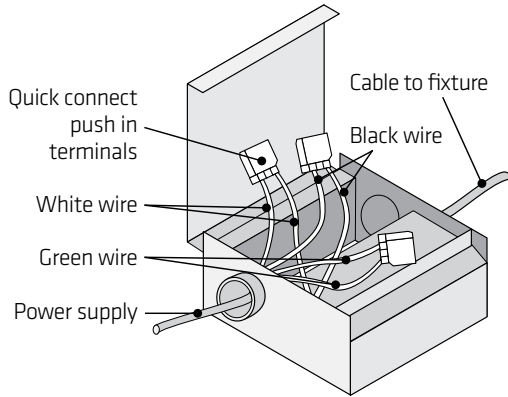
Angle: 107.47 deg

Note: The curves indicate the illuminated area and the average illumination when the luminaire is at different distance.

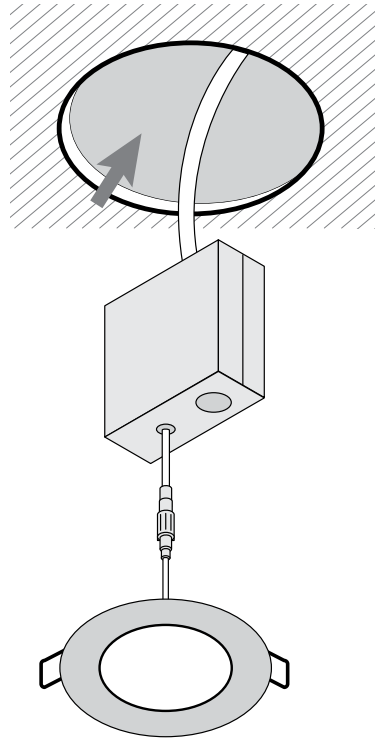
CLIENT:
PROJECT:
DATE:

EASY INSTALLATION

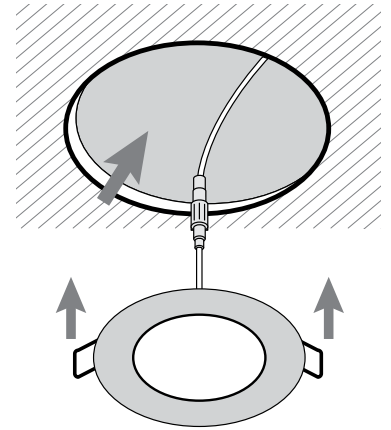
1.



2.



3.



While our ultra-slim LED ceiling lights function with most dimmers and dimmers generally have a maximum 150-Watt rating for LED units, we strongly recommend that you not exceed 80% of this capacity in order to avoid lighting flicker when the dimmer is at its lowest setting. For example, we recommend a maximum of 8 6-inch units (120 Watts total) or 13 4-inch units (total 117 Watts).

CAUTION: ALWAYS CLOSE ELECTRICAL CURRENT BEFORE CONNECTING A LED DEVICE, otherwise the driver will be affected.