

FLP3DG-7W-30K

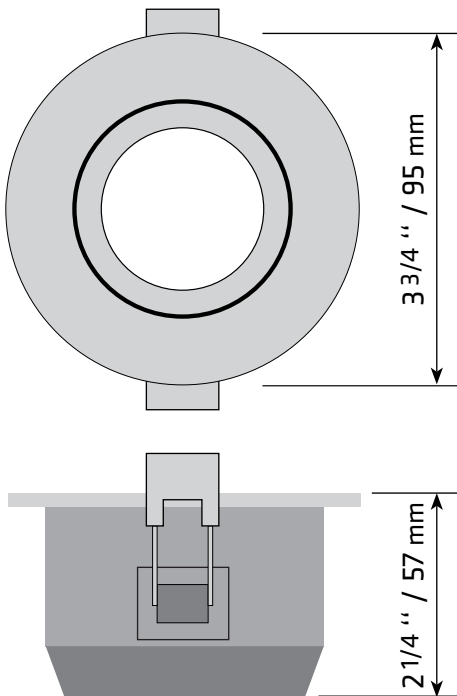
TECHNICAL SPECIFICATIONS

- Sizes : 3 3/4" dia. x 2 1/4" H
- Colours: WH-White
- 120 VOLTS / LED 7 WATTS
- 500 LUMENS
- Degrees Kelvin: 3000K
- Beam angle: 38° / CRI : > 90
- 3 1/2" hole to be drilled
- Approved for damp locations
- Operating temperature: from -30° to +40°
- Junction box for hardwiring and driver included

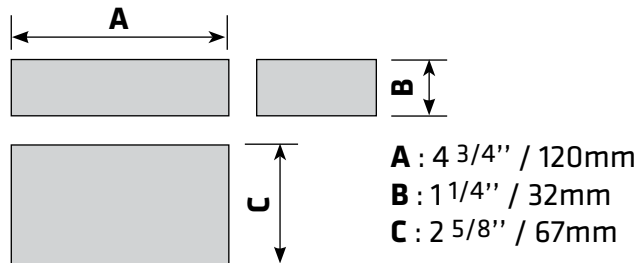
ACCESSORIES AVAILABLE

- Plaster frame **PF-603**
- 6 ft extension **FLP-EX6**

RECESSED LIGHTING DIMENSIONS



JUNCTION BOX DIMENSIONS



LUMINOUS INTENSITY DISTRIBUTION DIAGRAM

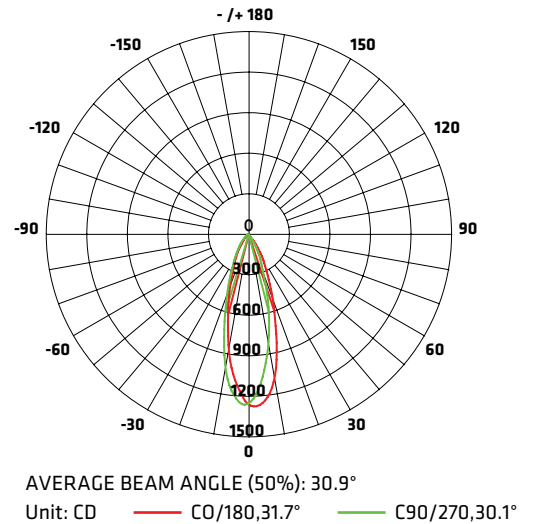


FIGURE AAI

Flux out : 212.1 1m

Height	E avg	E max	Diameter
1 m	820.9	1245 Lx	55.28 cm
2 m	205.2	311.3 Lx	110.55 cm
3 m	91.22	138.4 Lx	165.83 cm
4 m	51.31	77.83 Lx	221.11 cm
5 m	32.84	49.81 Lx	276.38 cm
6 m	22.80	34.59 Lx	331.66 cm
7 m	16.75	25.41 Lx	386.94 cm
8 m	12.83	19.46 Lx	442.22 cm
9 m	10.14	15.37 Lx	497.49 cm
10 m	8.209	12.45 Lx	552.77 cm

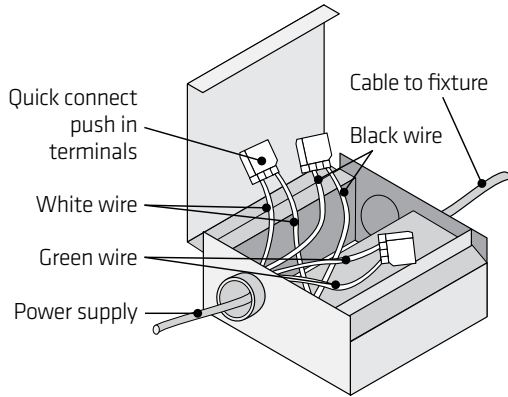
Angle: 30.90 deg

Note: The curves indicate the illuminated area and the average illumination when the luminaire is at different distance.

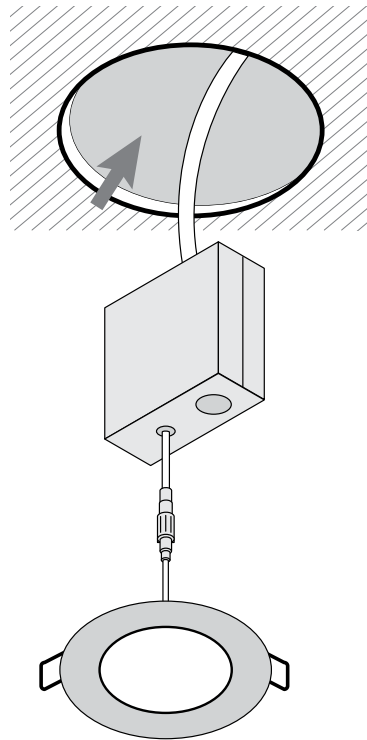
CLIENT:
PROJECT:
DATE:

EASY INSTALLATION

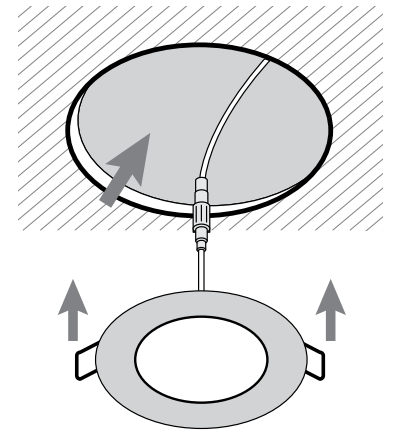
1.



2.



3.



While our ultra-slim LED ceiling lights function with most dimmers and dimmers generally have a maximum 150-Watt rating for LED units, we strongly recommend that you not exceed 80% of this capacity in order to avoid lighting flicker when the dimmer is at its lowest setting. For example, we recommend a maximum of 8 6-inch units (120 Watts total) or 13 4-inch units (total 117 Watts).

CAUTION: ALWAYS CLOSE ELECTRICAL CURRENT BEFORE CONNECTING A LED DEVICE, otherwise the driver will be affected.