

FLP3-8W-30K/40K

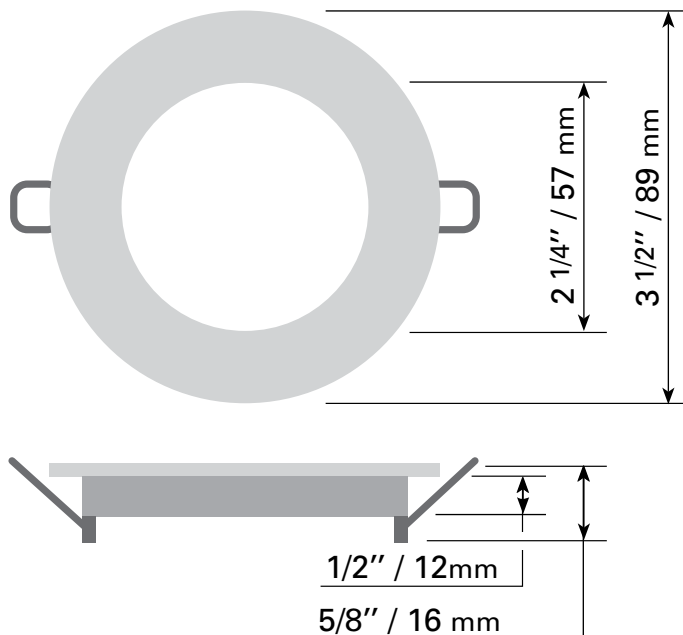
TECHNICAL SPECIFICATIONS

- Sizes: 3 1/2" dia. x 5/8" H
- Colours: WH-White, BK-Black
- 120 VOLTS / LED 8 WATTS
- 550 LUMENS
- Degrees Kelvin: 3000K, 4000K to choose with the selection button**
- Beam angle: 110° / IRC : > 80
- 3 1/4" hole to be drilled
- IC and Airtight
- Approved for damp locations
- Operating temperature: from -25° to +45°

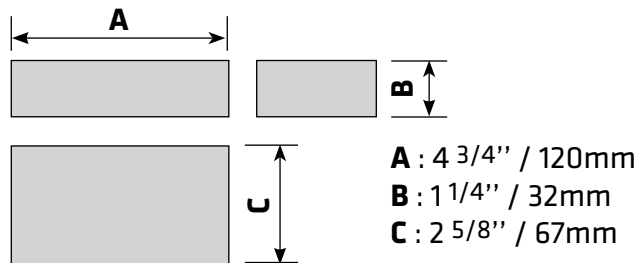
ACCESSORIES AVAILABLE

- Plaster frame **PF-314**
- 6 ft extension **FLP-EX6-CCT**

RECESSED LIGHTING DIMENSIONS



JUNCTION BOX DIMENSIONS



LUMINOUS INTENSITY DISTRIBUTION DIAGRAM

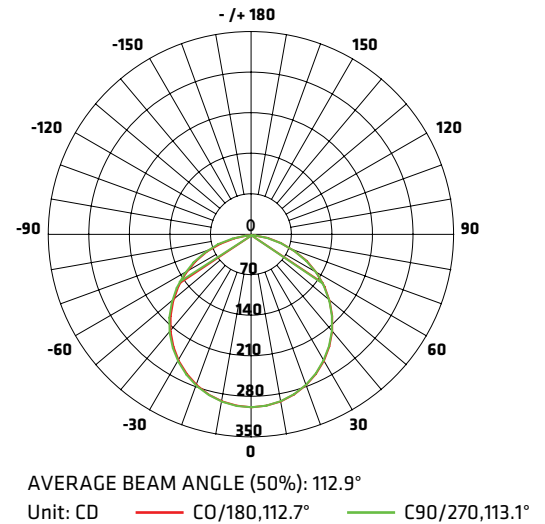


FIGURE AAI

Flux out : 677.9 1m

Height	E avg	E max	Diameter
1 m	71.93	300.9 Lx	300.05 cm
2 m	17.98	75.22 Lx	600.11 cm
3 m	7.993	33.43 Lx	900.16 cm
4 m	4.496	18.80 Lx	1200.21 cm
5 m	2.877	12.03 Lx	1500.27 cm
6 m	1.998	8.357 Lx	1800.32 cm
7 m	1.468	6.140 Lx	2100.37 cm
8 m	1.124	4.701 Lx	2400.43 cm
9 m	0.8881	3.714 Lx	2700.48 cm
10 m	0.7193	3.009 Lx	3000.53 cm

Angle: 112.63 deg

Note: The curves indicate the illuminated area and the average illumination when the luminaire is at different distance.



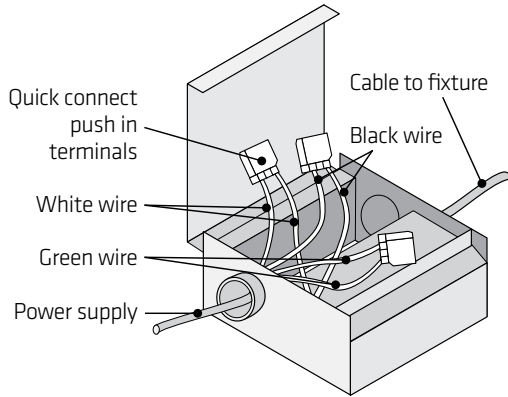
4300 Grande-Allée Blvd, Boisbriand
 QC, Canada J7H 1M9

450 979-0667
 info@lumifaro.com
 www.lumifaro.com

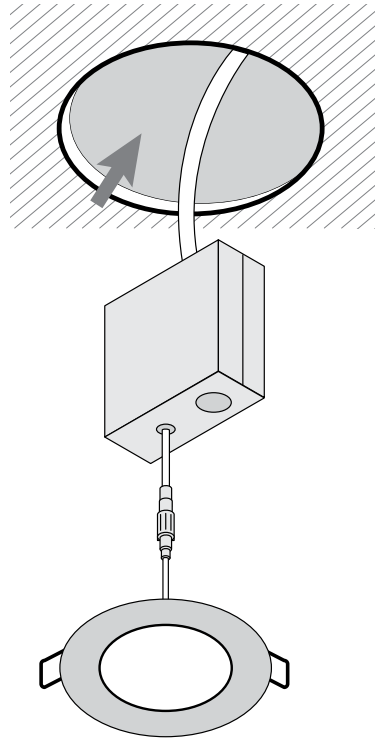
CLIENT:
PROJECT:
DATE:

EASY INSTALLATION

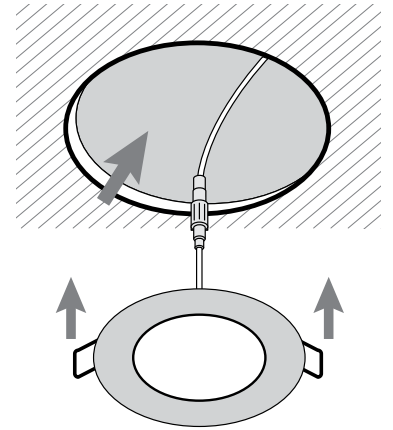
1.



2.



3.



While our ultra-slim LED ceiling lights function with most dimmers and dimmers generally have a maximum 150-Watt rating for LED units, we strongly recommend that you not exceed 80% of this capacity in order to avoid lighting flicker when the dimmer is at its lowest setting. For example, we recommend a maximum of 8 6-inch units (120 Watts total) or 13 4-inch units (total 117 Watts).

CAUTION: ALWAYS CLOSE ELECTRICAL CURRENT BEFORE CONNECTING A LED DEVICE, otherwise the driver will be affected.