

## FLP3.5SG-8W-30K/40K

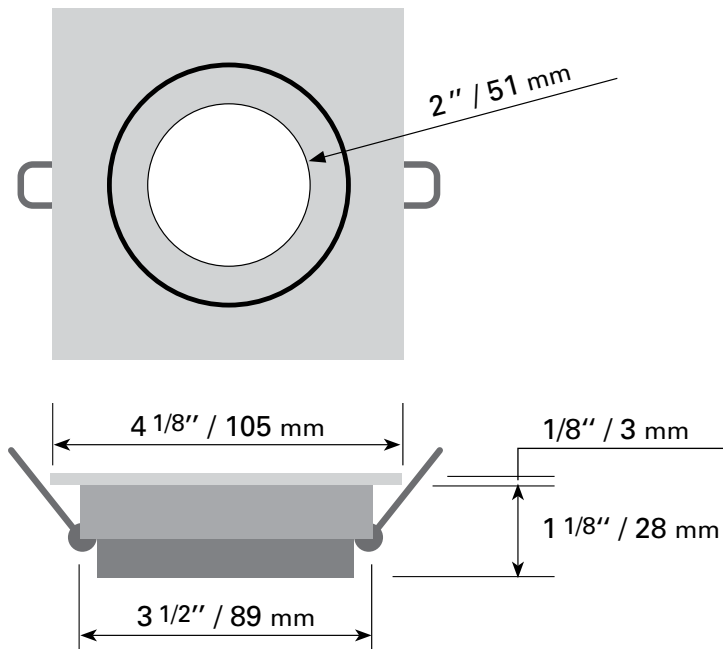
### TECHNICAL SPECIFICATIONS

- Sizes: 4 1/8" dia. x 1 1/4" H
- Colours: WH-White, BK-Black
- 120 VOLTS / LED 8 WATTS
- 550 LUMENS
- **Degrees Kelvin: 3000K / 4000K to choose with the selection button**
- Beam angle: 38° / CRI : > 80
- 3 7/8" round hole to be drilled
- Closed endorsement, IC for insulated ceilings
- Approved for damp locations
- Junction box for hardwiring and driver included

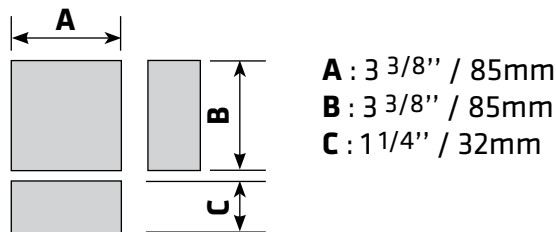
### ACCESSORIES AVAILABLE

- Plaster frame **PF-378**
- 6 ft extension **FLP-EX6-CCT**

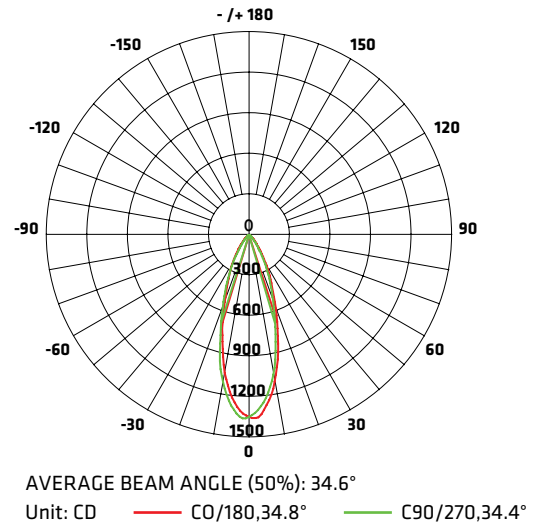
### RECESSED LIGHTING DIMENSIONS



### JUNCTION BOX DIMENSIONS



### LUMINOUS INTENSITY DISTRIBUTION DIAGRAM



### FIGURE AAI

Flux out: 296.4 1m

Height	E avg	E max	Diameter
1 m	893.6	1381 Lx	61.87 cm
2 m	223.4	345.1 Lx	123.75 cm
3 m	99.29	153.4 Lx	185.62 cm
4 m	55.85	86.29 Lx	247.49 cm
5 m	35.74	55.22 Lx	309.36 cm
6 m	24.82	38.35 Lx	371.24 cm
7 m	18.24	28.18 Lx	433.11 cm
8 m	13.96	21.57 Lx	494.98 cm
9 m	11.03	17.04 Lx	556.86 cm
10 m	8.936	13.81 Lx	618.73 cm

Angle: 34.38 deg

Note: The curves indicate the illuminated area and the average illumination when the luminaire is at different distance.



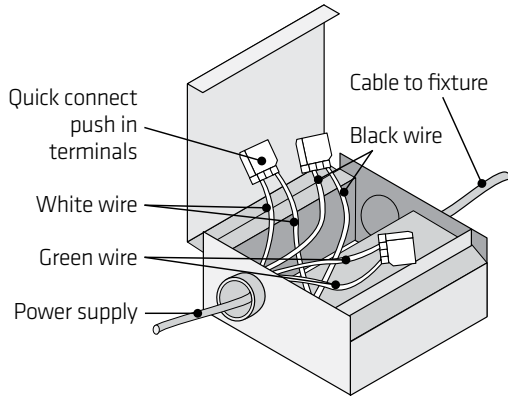
4300 Grande-Allée Blvd, Boisbriand  
 QC, Canada J7H 1M9

450 979-0667  
 info@lumifaro.com  
 www.lumifaro.com

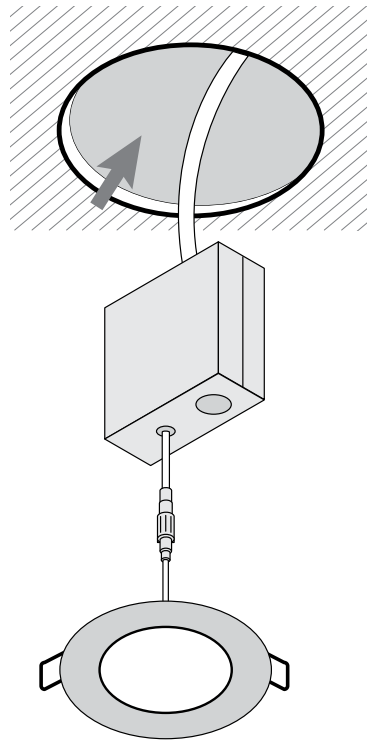
CLIENT:
PROJECT:
DATE:

## EASY INSTALLATION

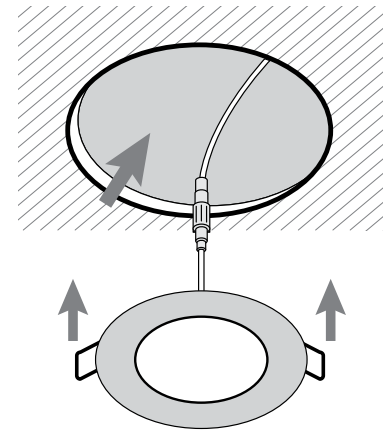
1.



2.



3.



While our ultra-slim LED ceiling lights function with most dimmers and dimmers generally have a maximum 150-Watt rating for LED units, we strongly recommend that you not exceed 80% of this capacity in order to avoid lighting flicker when the dimmer is at its lowest setting. For example, we recommend a maximum of 8 6-inch units (120 Watts total) or 13 4-inch units (total 117 Watts).

**CAUTION: ALWAYS CLOSE ELECTRICAL CURRENT BEFORE CONNECTING A LED DEVICE, otherwise the driver will be affected.**