

FLP3.5G-8W-27K/30K/40K

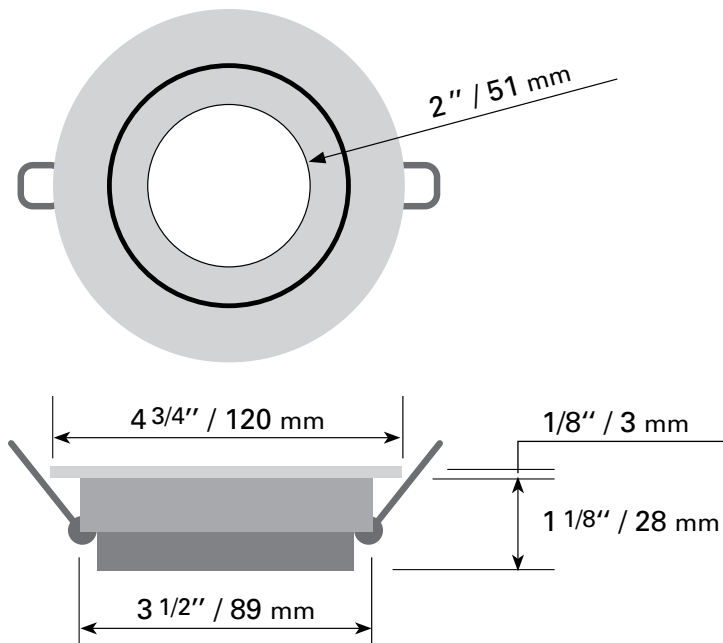
TECHNICAL SPECIFICATIONS

- Sizes: 4 3/4" dia. x 1 1/4" H
- Colours: WH-White
- 120 VOLTS / LED 8 WATTS
- 550 LUMENS
- Degrees Kelvin: 2700K / 3000K / 4000K to choose with the selection button**
- Beam angle: 38° / CRI : > 80
- 3 7/8" hole to be drilled
- Closed endorsement, IC for insulated ceilings
- Approved for damp locations
- Junction box for hardwiring and driver included

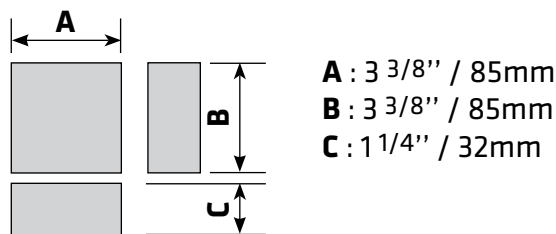
ACCESSORIES AVAILABLE

- Plaster frame **PF-378**
- 6 ft extension **FLP-EX6-CCT**

RECESSED LIGHTING DIMENSIONS



JUNCTION BOX DIMENSIONS



LUMINOUS INTENSITY DISTRIBUTION DIAGRAM

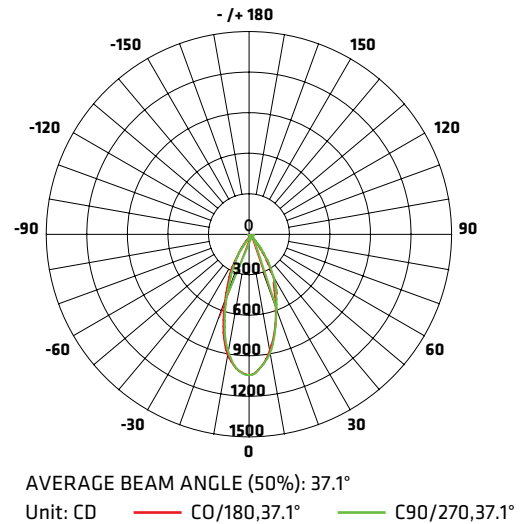


FIGURE AAI

Flux out: 276.7 1m

Height	E avg	E max	Diameter
1 m	742.9	1151 Lx	66.81 cm
2 m	185.7	287.8 Lx	133.63 cm
3 m	82.54	127.9 Lx	200.44 cm
4 m	46.43	71.96 Lx	267.26 cm
5 m	29.71	46.06 Lx	334.07 cm
6 m	20.64	31.98 Lx	400.89 cm
7 m	15.16	23.50 Lx	467.70 cm
8 m	11.61	17.99 Lx	534.52 cm
9 m	9.171	14.21 Lx	601.33 cm
10 m	7.429	11.51 Lx	668.15 cm

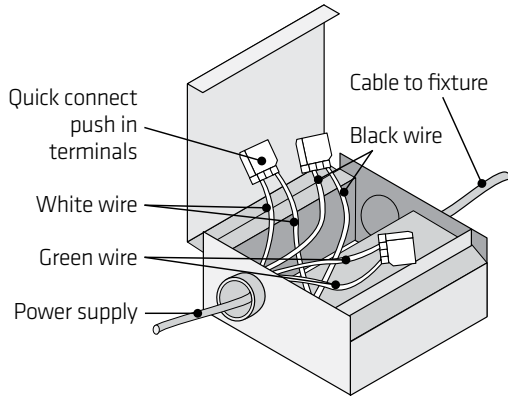
Angle: 36.95 deg

Note: The curves indicate the illuminated area and the average illumination when the luminaire is at different distance.

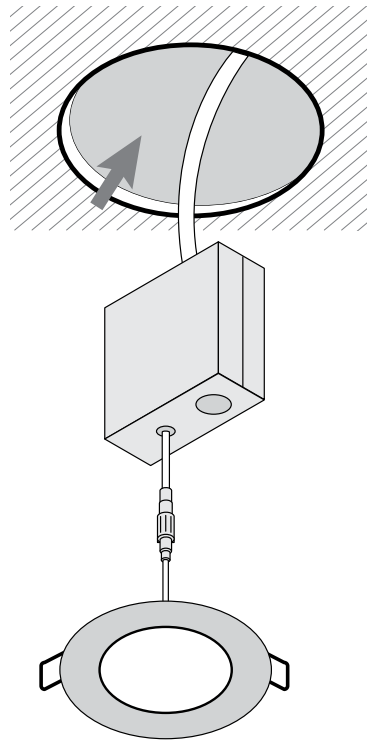
CLIENT:
PROJECT:
DATE:

EASY INSTALLATION

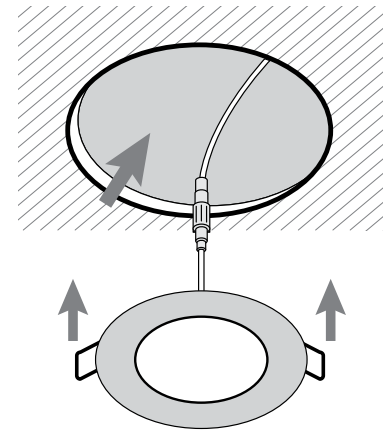
1.



2.



3.



While our ultra-slim LED ceiling lights function with most dimmers and dimmers generally have a maximum 150-Watt rating for LED units, we strongly recommend that you not exceed 80% of this capacity in order to avoid lighting flicker when the dimmer is at its lowest setting. For example, we recommend a maximum of 8 6-inch units (120 Watts total) or 13 4-inch units (total 117 Watts).

CAUTION: ALWAYS CLOSE ELECTRICAL CURRENT BEFORE CONNECTING A LED DEVICE, otherwise the driver will be affected.