

## FLP3.5DTW-8W-30K/22K

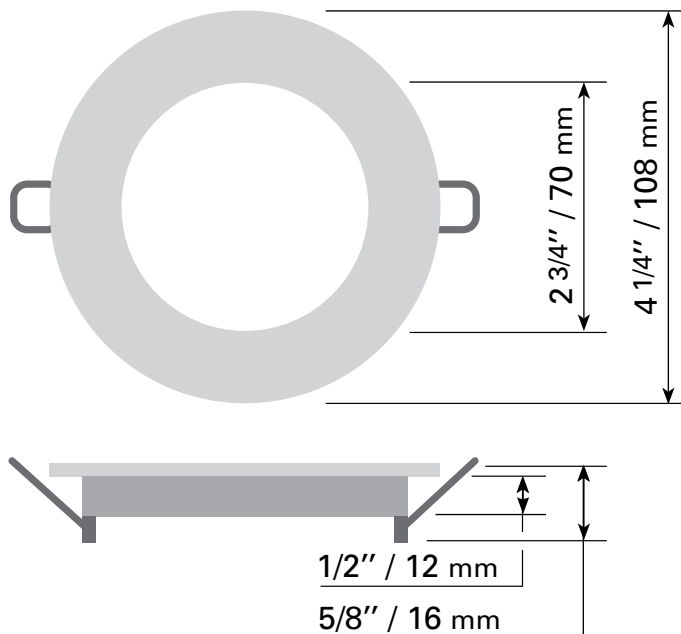
### TECHNICAL SPECIFICATIONS

- Sizes: 4 1/4" dia. x 5/8" H
- Colours: WH-White
- 120 VOLTS / LED 8 WATTS
- 500 LUMENS
- "Dim to warm"
- Degrees Kelvin: 3000K / 2200K
- Beam angle: 110° / IRC : > 80
- 3 7/8" hole to be drilled
- IC and Airtight
- Approved for damp locations
- Operating temperature: from -25° to +45°

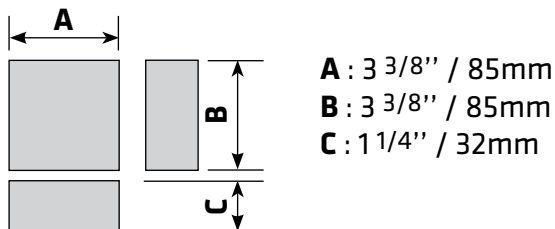
### ACCESSORIES AVAILABLE

- Plaster frame **PF-378**
- 6 ft extension **FLP-EX6**

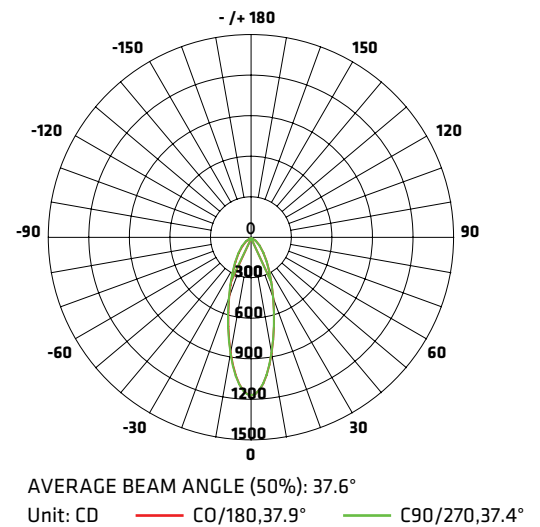
### RECESSED LIGHTING DIMENSIONS



### JUNCTION BOX DIMENSIONS



### LUMINOUS INTENSITY DISTRIBUTION DIAGRAM



### FIGURE AAI

Flux out: 288.0 1m

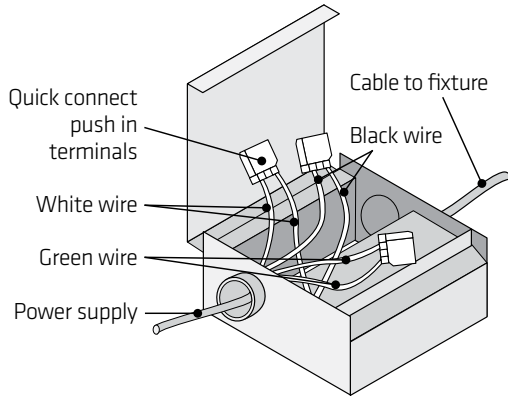
Height	E avg	E max	Angle: 37.33 deg	Diameter
1 m	773.3	1190 Lx		67.56 cm
2 m	193.3	297.5 Lx		135.12 cm
3 m	85.92	132.2 Lx		202.67 cm
4 m	48.33	74.38 Lx		270.23 cm
5 m	30.93	47.61 Lx		337.79 cm
6 m	21.48	33.06 Lx		405.35 cm
7 m	15.78	24.29 Lx		472.90 cm
8 m	12.08	18.60 Lx		540.46 cm
9 m	9.547	14.69 Lx		608.02 cm
10 m	7.733	11.90 Lx		675.58 cm

Note: The curves indicate the illuminated area and the average illumination when the luminaire is at different distance.

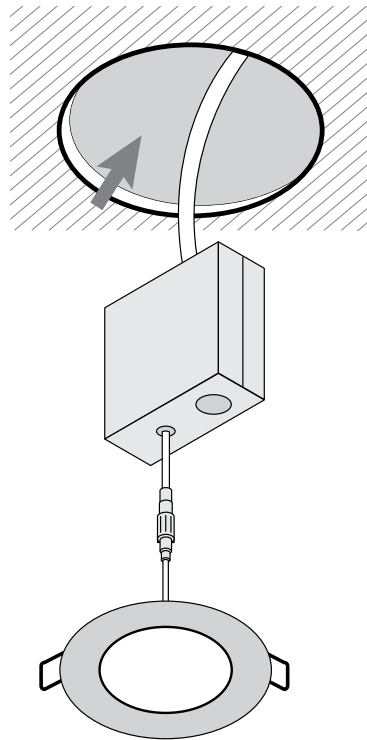
CLIENT:
PROJECT:
DATE:

## EASY INSTALLATION

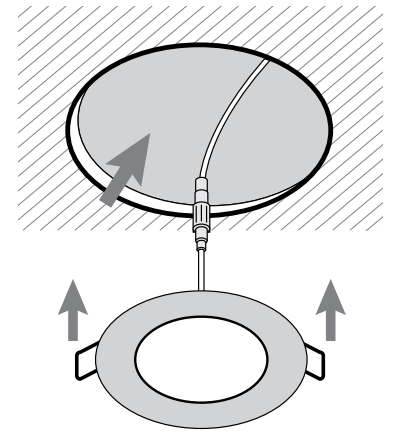
1.



2.



3.



While our ultra-slim LED ceiling lights function with most dimmers and dimmers generally have a maximum 150-Watt rating for LED units, we strongly recommend that you not exceed 80% of this capacity in order to avoid lighting flicker when the dimmer is at its lowest setting. For example, we recommend a maximum of 8 6-inch units (120 Watts total) or 13 4-inch units (total 117 Watts).

**CAUTION: ALWAYS CLOSE ELECTRICAL CURRENT BEFORE CONNECTING A LED DEVICE, otherwise the driver will be affected.**