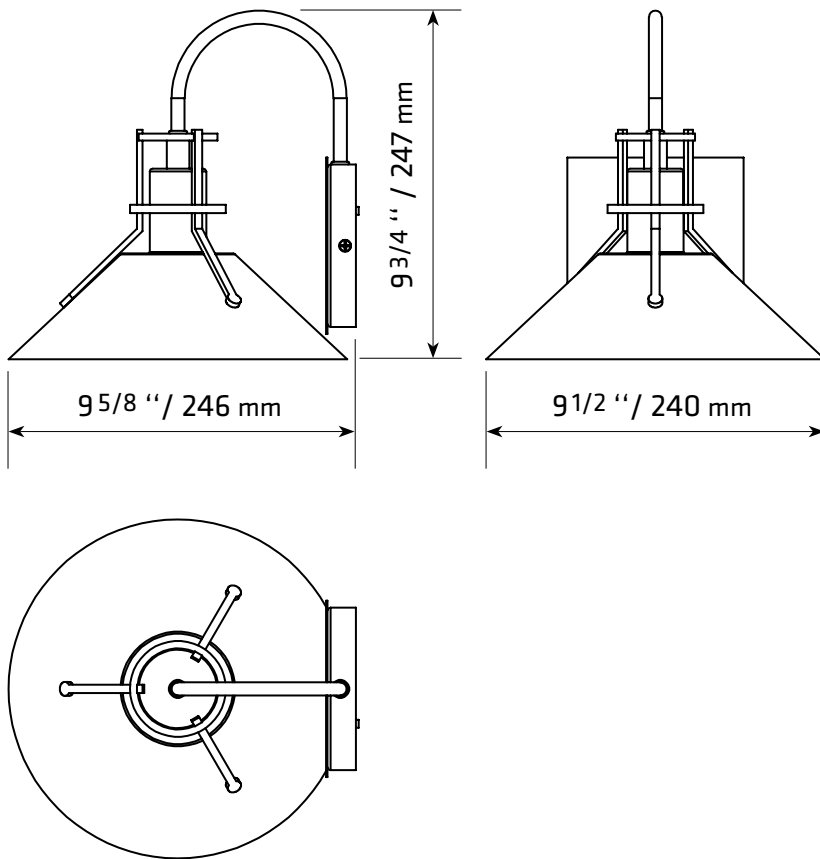


# LWL-523P

## TECHNICAL SPECIFICATIONS

- Outdoor wall-mounted lighting
- Downlighting
- Dimensions: 9 1/2" dia. x 10" H
- 120 VOLTS
- For A-19 or AT-19 bulb retro style not included
- Socket: E26
- Colour: BK-Black
- Aluminum base
- Approved for wet locations



CLIENT:
PROJECT:
DATE: