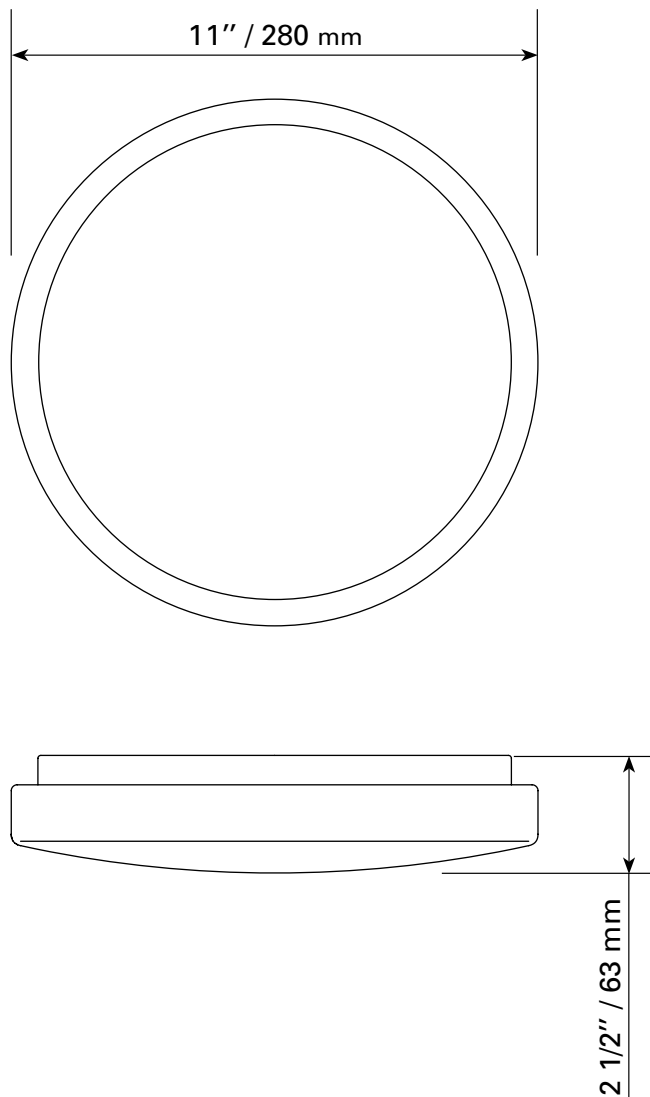


CLD-211-3CCT

TECHNICAL SPECIFICATIONS

- Sizes: 11" dia. x 2 1/2" H
- 120 VOLTS
- 15 Watts integrated LED
- 1200 LUMENS
- Degrees Kelvin: 2700K / 3000K / 4000K to choose with the selection button
- CRI: > 80
- Globe: acrylic

DIMENSIONS / CLD-211-3CCT



4300 Grande-Allée Blvd, Boisbriand
QC, Canada J7H 1M9

450 979-0667
info@lumifaro.com
www.lumifaro.com

CLIENT:
PROJECT:
DATE: