

SLIM LED RECESSED LIGHTING

FIRE RATED **2 HOURS**
UL-263 • Compliant to ULC /
CAN S-101 standards

3 YEARS
WARRANTY



DIMMABLE

FLP4G-10W-30K FLP4G-10W-40K

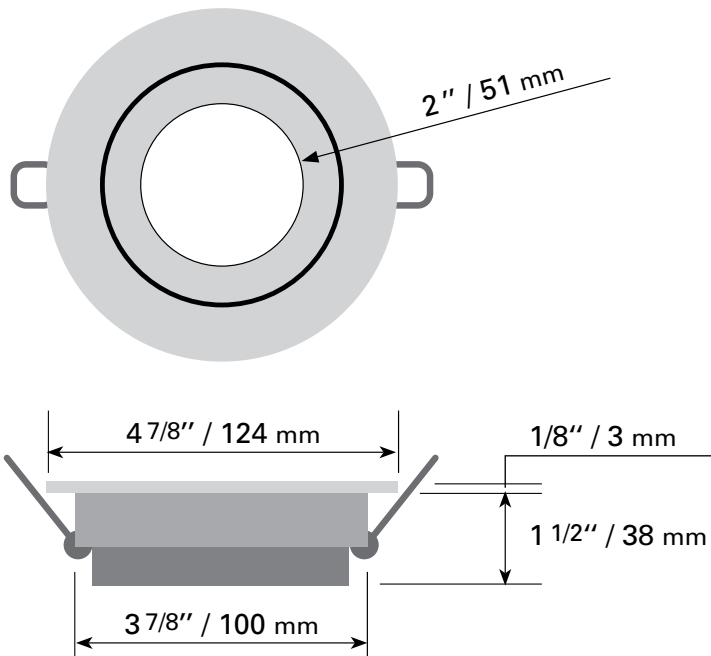
TECHNICAL SPECIFICATIONS

- Sizes: 4 7/8" dia. x 1 5/8" H
- Colours: WH-White, BS-Brushed steel, BK-Black
- 120 VOLTS / LED 10 WATTS
- 750 LUMENS
- Degrees Kelvin: 3000K or 4000K
- Beam angle: 38° / CRI : > 80
- 4 1/8" or 4 1/4" hole to be drilled
- Closed endorsement, IC for insulated ceilings
- Approved for damp locations
- Junction box for hardwiring and driver included

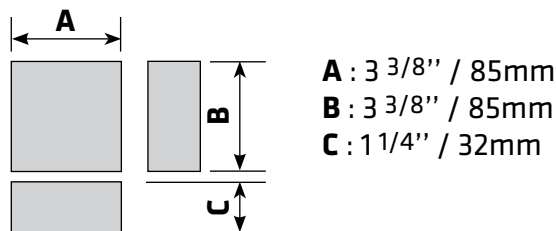
ACCESSORIES AVAILABLE

- Plaster frame **PF-414** or **PF-418**
- 6 ft extension **FLP-EX6**

RECESSED LIGHTING DIMENSIONS



JUNCTION BOX DIMENSIONS



LUMINOUS INTENSITY DISTRIBUTION DIAGRAM

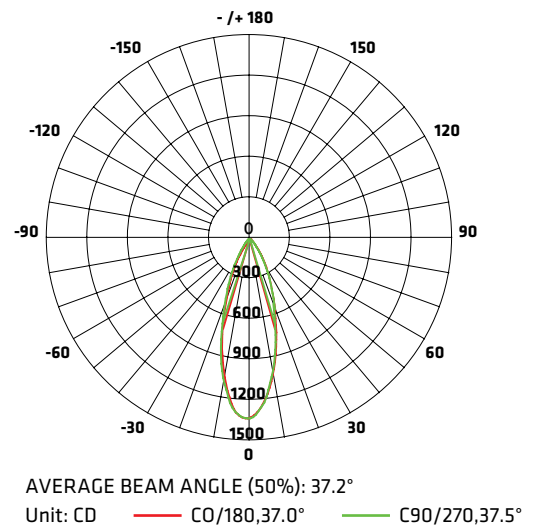


FIGURE AAI

Flux out: 319.7 lm

Height	E avg	E max	Diameter
1 m	858.2	1328 Lx	66.99 cm
2 m	214.6	332.0 Lx	133.98 cm
3 m	95.36	147.6 Lx	200.97 cm
4 m	53.64	83.01 Lx	267.96 cm
5 m	34.33	53.13 Lx	334.95 cm
6 m	23.84	36.89 Lx	401.94 cm
7 m	17.52	27.11 Lx	468.93 cm
8 m	13.41	20.75 Lx	535.92 cm
9 m	10.60	16.40 Lx	602.91 cm
10 m	8.582	13.28 Lx	669.89 cm

Angle: 37.04 deg

Note: The curves indicate the illuminated area and the average illumination when the luminaire is at different distance.



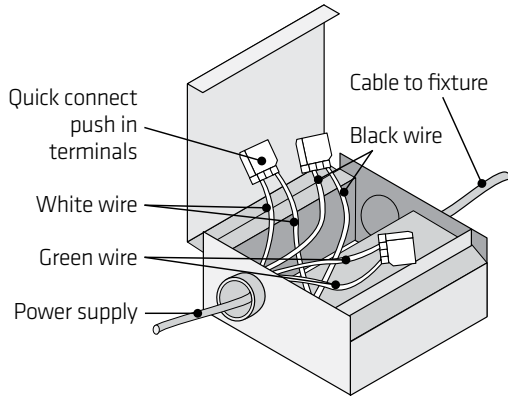
4300 Grande-Allée Blvd, Boisbriand
 QC, Canada J7H 1M9

450 979-0667
 info@lumifaro.com
 www.lumifaro.com

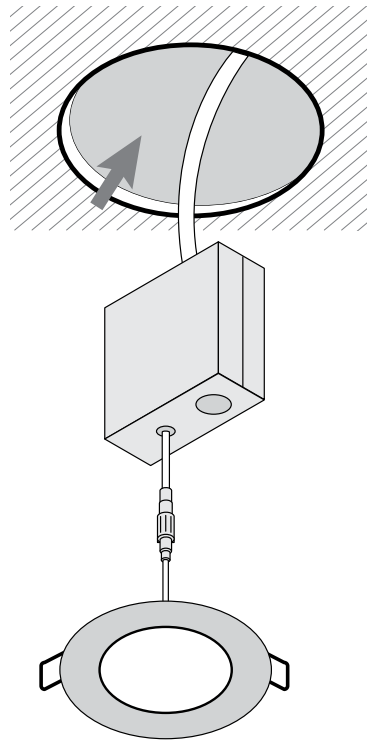
CLIENT:
PROJECT:
DATE:

EASY INSTALLATION

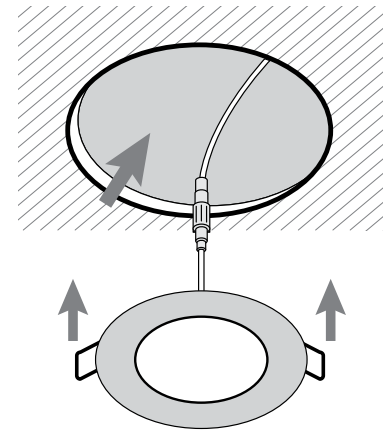
1.



2.



3.



While our ultra-slim LED ceiling lights function with most dimmers and dimmers generally have a maximum 150-Watt rating for LED units, we strongly recommend that you not exceed 80% of this capacity in order to avoid lighting flicker when the dimmer is at its lowest setting. For example, we recommend a maximum of 8 6-inch units (120 Watts total) or 13 4-inch units (total 117 Watts).

CAUTION: ALWAYS CLOSE ELECTRICAL CURRENT BEFORE CONNECTING A LED DEVICE, otherwise the driver will be affected.