

# FLP4-10W-30K FLP4-10W-40K

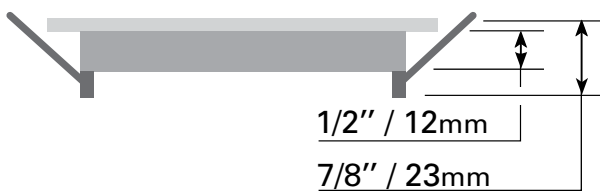
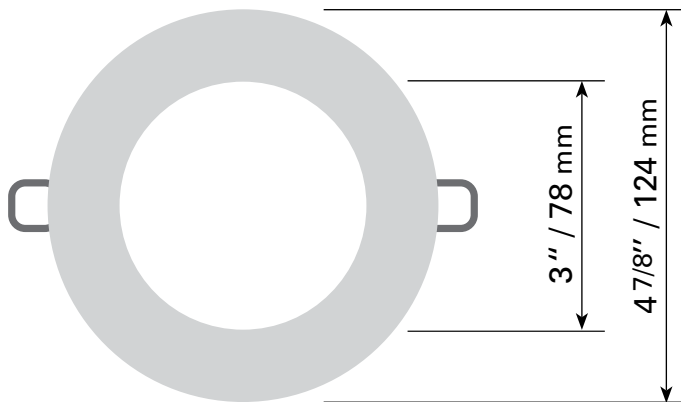
## TECHNICAL SPECIFICATIONS

- Sizes: 4 7/8" dia. x 7/8" H
- Colours: WH-White, BS-Brushed steel, BK-Black
- 120 VOLTS / LED 10 WATTS
- 750 LUMENS
- Degrees Kelvin: 3000K or 4000K
- Beam angle: 110° / IRC : > 80
- 4 1/4" hole to be drilled
- IC and Airtight
- Approved for damp locations
- Operating temperature: from -25° to +45°

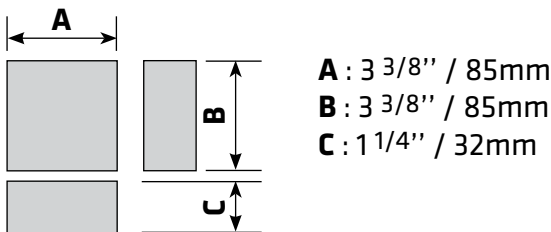
## ACCESSORIES AVAILABLE

- Plaster frame **PF-414** or **PF-418**
- 6 ft extension **FLP-EX6**

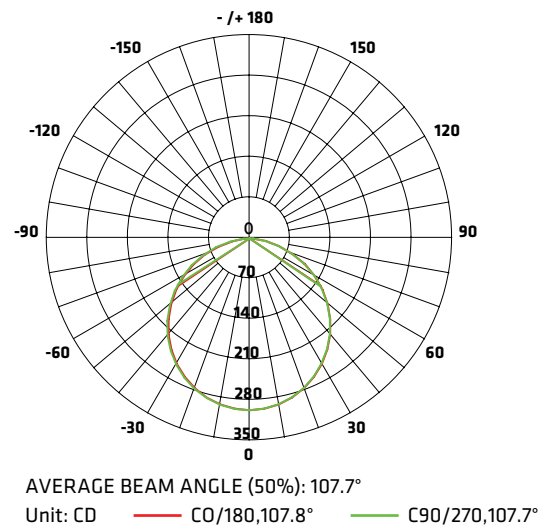
## RECESSED LIGHTING DIMENSIONS



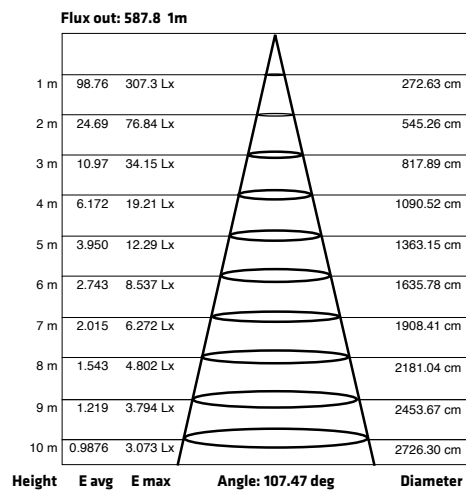
## JUNCTION BOX DIMENSIONS



## LUMINOUS INTENSITY DISTRIBUTION DIAGRAM



## FIGURE AAI



Note: The curves indicate the illuminated area and the average illumination when the luminaire is at different distance.



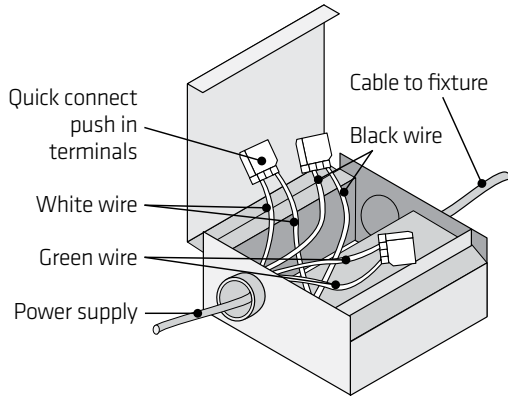
4300 Grande-Allée Blvd, Boisbriand  
QC, Canada J7H 1M9

450 979-0667  
info@lumifaro.com  
www.lumifaro.com

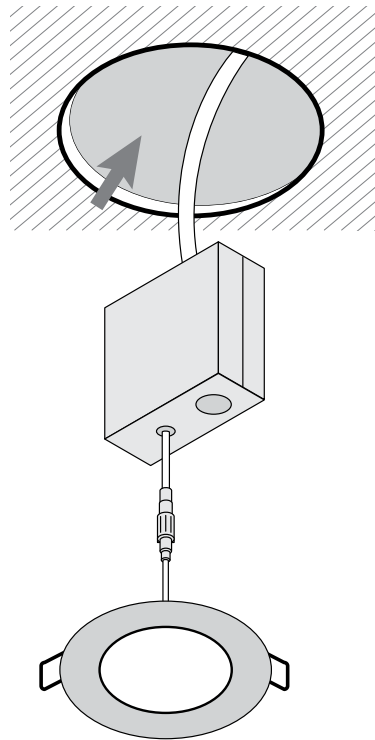
CLIENT:
PROJECT:
DATE:

## EASY INSTALLATION

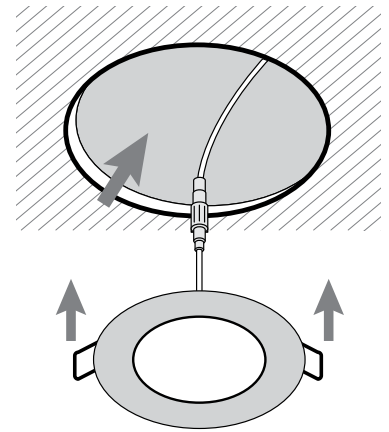
1.



2.



3.



While our ultra-slim LED ceiling lights function with most dimmers and dimmers generally have a maximum 150-Watt rating for LED units, we strongly recommend that you not exceed 80% of this capacity in order to avoid lighting flicker when the dimmer is at its lowest setting. For example, we recommend a maximum of 8 6-inch units (120 Watts total) or 13 4-inch units (total 117 Watts).

**CAUTION: ALWAYS CLOSE ELECTRICAL CURRENT BEFORE CONNECTING A LED DEVICE, otherwise the driver will be affected.**