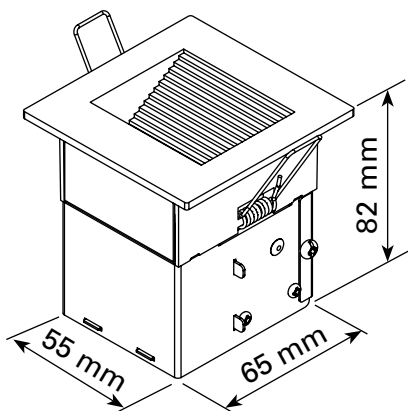
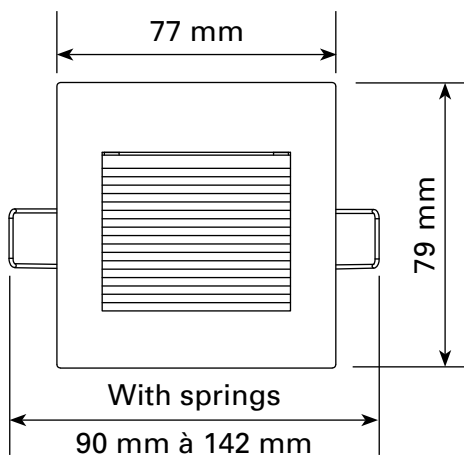


SL-1

TECHNICAL SPECIFICATIONS

- 1 WATT
- 120 VOLTS
- Degrees Kelvin: 3000K
- Transformer included
- Not dimmable
- Colours: WH-White, BS-Brushed steel
- For insulated and non-insulated locations
- Wall mount only
- Suitable for damp locations
- Plaster frame with rectangular hole available (# PF-1)
- Hole size: 2 3/8" x 2 5/8"

SIZES / SL-1



CLIENT:
PROJECT:
DATE: