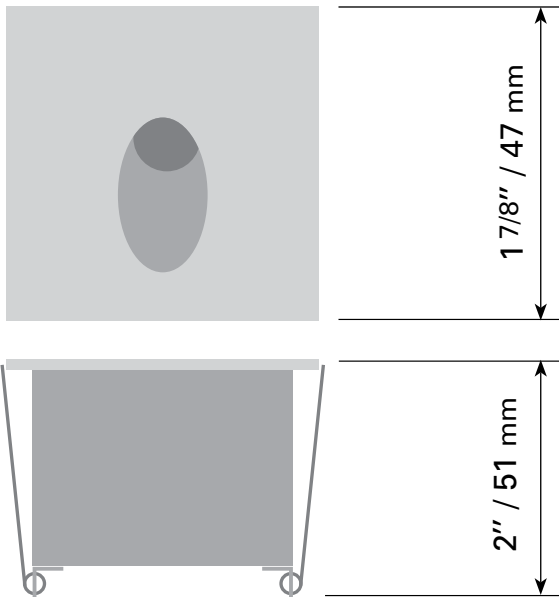


SL-44S

TECHNICAL SPECIFICATIONS

- Sizes: 1 7/8" x 1 7/8" x 2" H
- Colours: WH-White, BK-Black
- 12 VOLTS / LED 2 WATTS
- 180 LUMENS
- Degrees Kelvin: 3000K
- CRI: > 85
- 1 3/4" hole to be drilled

DIMENSIONS / SL-44S



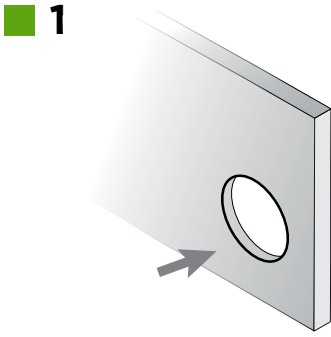
OPTIONAL: PF-44

- Plaster frame for SL-44

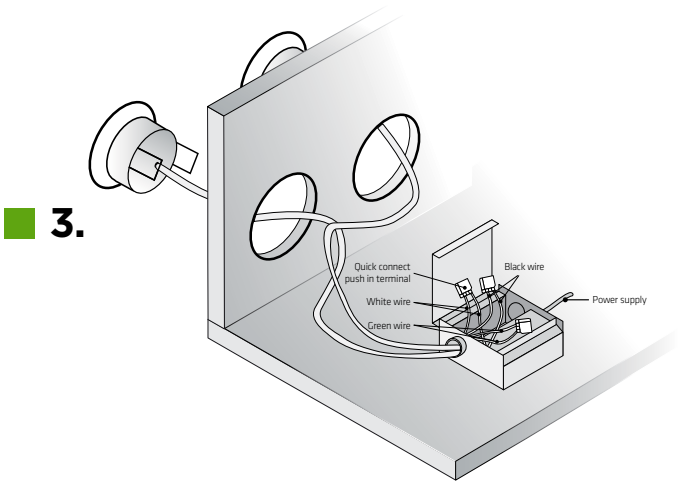


CLIENT:
PROJECT:
DATE:

EASY INSTALLATION

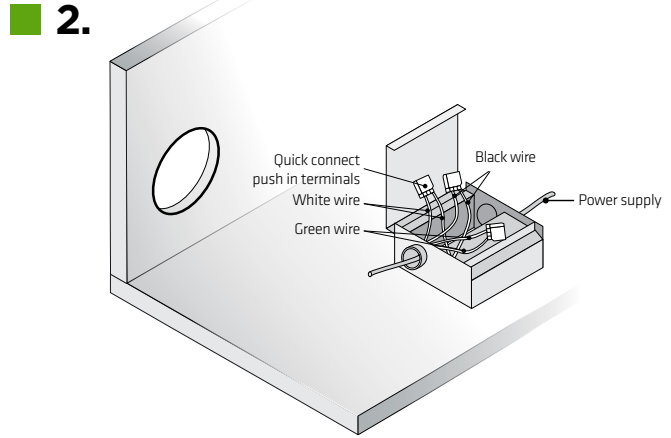


Determine the location for installation and cut a hole on the wall with dimension Ø 1-3/4".

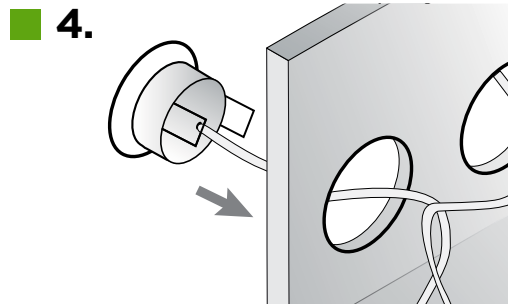


Connect the wires of step lights to the wire of the driver in the junction box. The max quantity of the step lights depends on the wattage of the driver.

WATTAGE OF DRIVER	MAX QTY OF STEP LIGHTS
12W	4 SL (Step light)
24W	8 SL (Step light)
36W	12 SL (Step light)
48W	16 SL (Step light)
60W	20 SL (Step light)



Put the junction box behind the wall. The most important thing is to make sure the output voltage of the driver in junction box should be DC12V. Open the junction box cover and remove the appropriate knockout(s) on the side panel. Insert the electrical supply cable through the knockout and secure with a cable connector (sold separately). Using quick-connect push-in terminals, connect the ground wire to the copper wire terminal, black wire to black wire terminal, white wire to white wire terminal.



Push spring-loaded clips on the step light upwards and insert the fixture base into the mounting hole. Release the clips and the fixture will be pulled flush to the wall.

CAUTION: ALWAYS CLOSE ELECTRICAL CURRENT BEFORE CONNECTING A LED DEVICE, otherwise the driver will be affected.

IMPORTANT: NEVER attempt any work without shutting off the electricity.

- Read all instructions before installing.
- System is intended for installation by a qualified electrician in accordance with the National Electrical Code and local regulations.
- Go to the main fuse box, or circuit breaker. Place the main power switch in the "OFF" position and unscrew the fuse(s) or switch "OFF" the circuit breaker switch(es) that control the power to the fixture or room that you are working on.
- Place the wall switch in the "OFF" position.
- Supply conductors (Power Wires) Connecting the fixture must be rated minimum 90°C. If uncertain, consult an electrician.

CAUTIONS

- These luminaires (fixtures) are designed to meet the cETLus requirements.
- Before installation, please check your local electrical code, as it sets the wiring standards for your locality.