

R-755

SOFFIT INSTALLATION

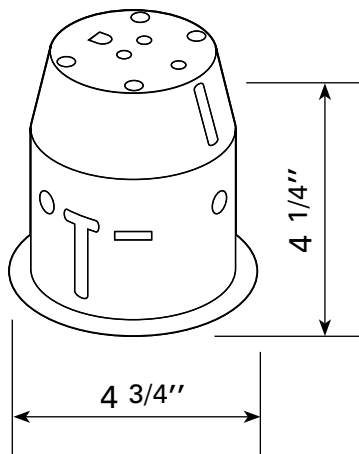
PAR-20 LED OR HALOGEN BULBS

Maximum 50 watts
For non-insulated ceilings

TECHNICAL SPECIFICATIONS

- PAR-20 LED or halogen bulbs
- Maximum 50W
- Cutout diameter: 3 7/8"
- Aluminum, will not rust
- Complete fixture with 16" wire, electrical box round cover and plaster frame
- Colours: WH-White, BK-Black

SIZES / OUTDOOR RECESSED LIGHTING



4300 Grande-Allée Blvd, Boisbriand
QC, Canada J7H 1M9

450 979-0667
info@lumifaro.com
www.lumifaro.com

CLIENT:
PROJECT:
DATE: