

## R-750

SOFFIT INSTALLATION

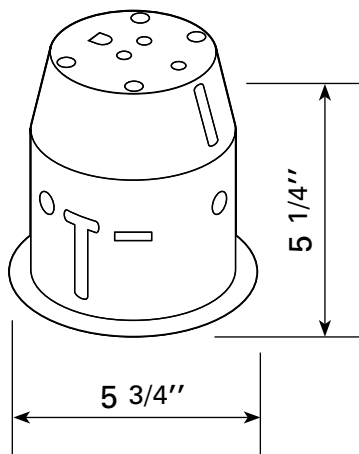
**PAR-30** OR **BR-30** LED OR HALOGEN BULBS

Maximum 75 watts  
For non-insulated ceilings

### TECHNICAL SPECIFICATIONS

- PAR-30 or BR-30 LED or halogen bulbs
- Maximum 75W
- Cutout diameter: 4 1/2"
- Aluminum, will not rust
- Complete fixture with 16" wire, electrical box round cover and plaster frame
- Colours: WH-White, BK-Black

### SIZES / OUTDOOR RECESSED LIGHTING



CLIENT:
PROJECT:
DATE: