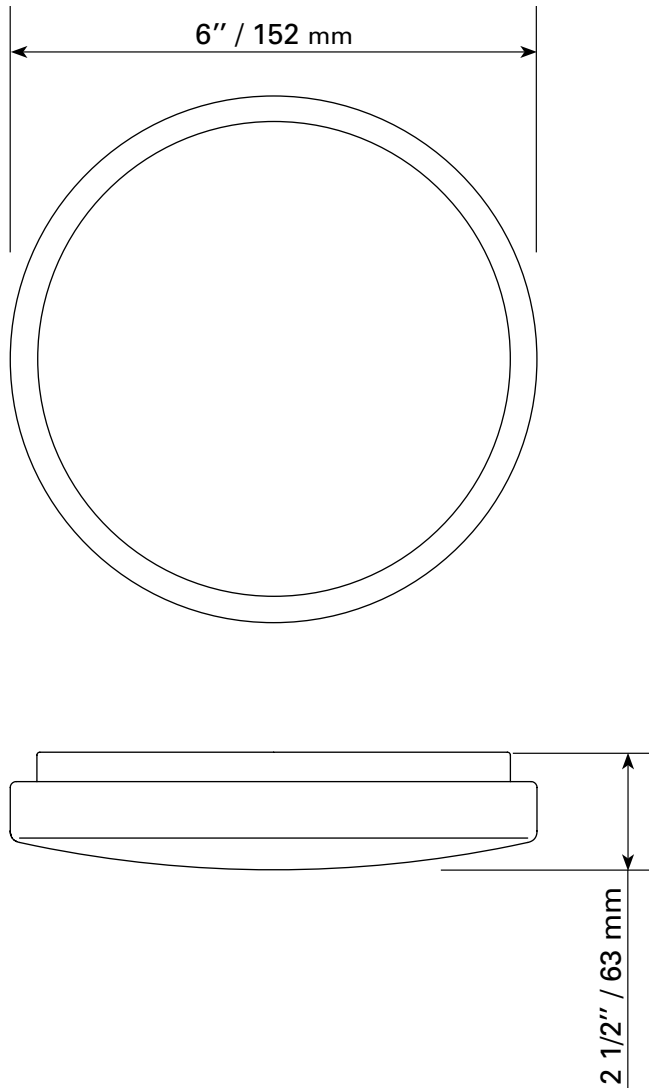


CLD-206-30K

TECHNICAL SPECIFICATIONS

- Sizes: 6" dia. x 2 1/2" H
- 120 VOLTS
- 9 Watts integrated LED
- 700 LUMENS
- Degrees Kelvin: 3000K
- CRI: > 80
- Globe: acrylic

DIMENSIONS / CLD-206



CLIENT:
PROJECT:
DATE: