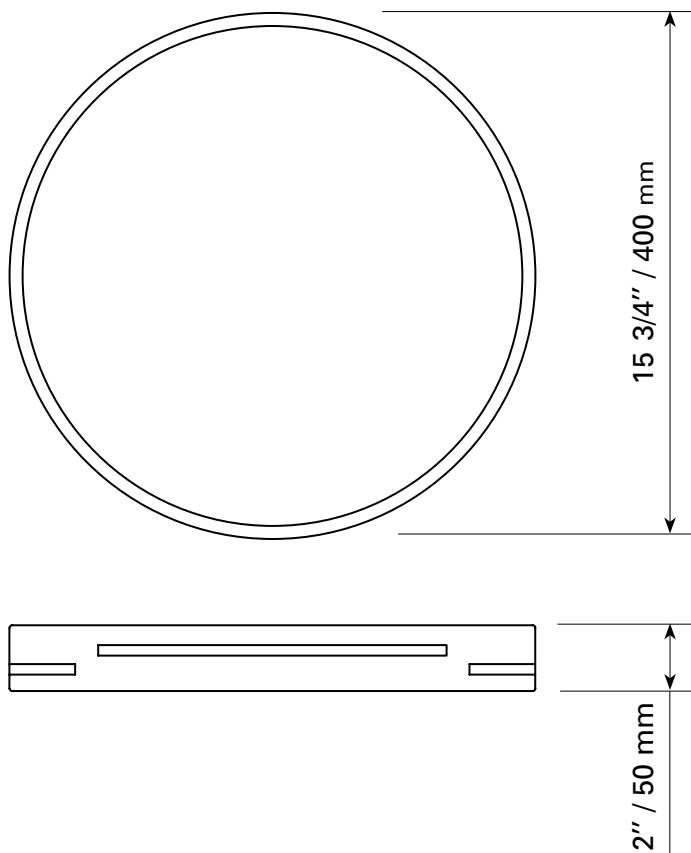


CLC-2015

TECHNICAL SPECIFICATIONS

- Sizes: 15 3/4" dia. x 2" H
- Colours: BK-Black
 WH-White
- 120 VOLTS / 36 WATTS
 with integrated LED
- 2160 LUMENS
- Degrees Kelvin: 3000K, 4000K,
 5000K to choose with the selection
 button
- DOB
- CRI: > 80
- Dry location

DIMENSIONS / CLC-2015



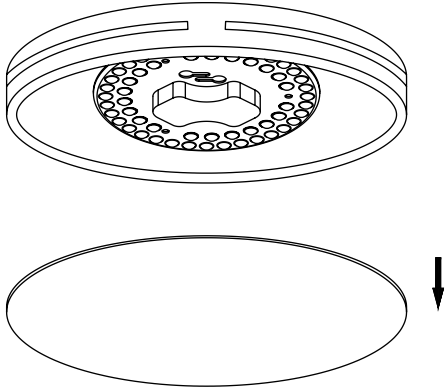
4300 Grande-Allée Blvd, Boisbriand
QC, Canada J7H 1M9

450 979-0667
info@lumifaro.com
www.lumifaro.com

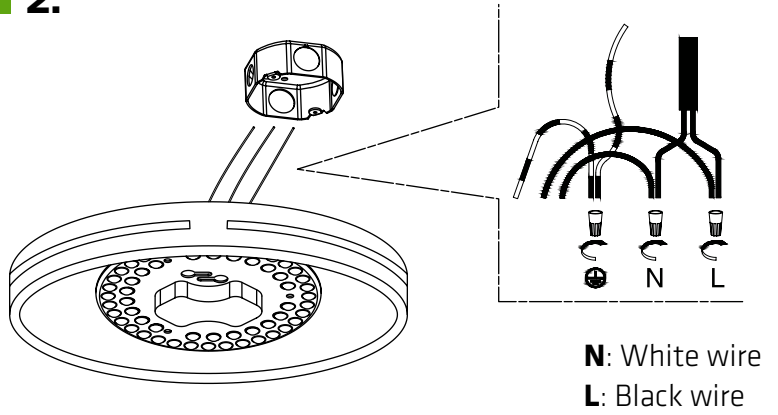
CLIENT:
PROJECT:
DATE:

EASY INSTALLATION

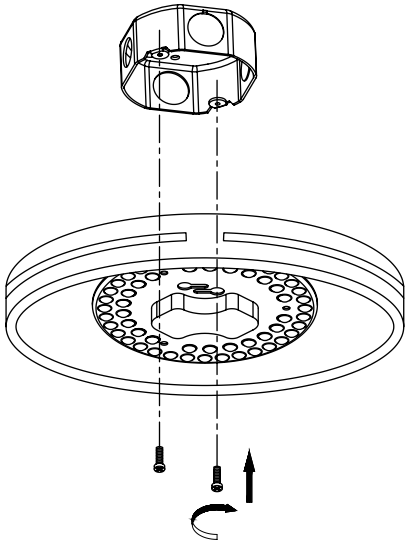
1.



2.



3.



4.

