

# RANGE HOODS / BUILT-IN

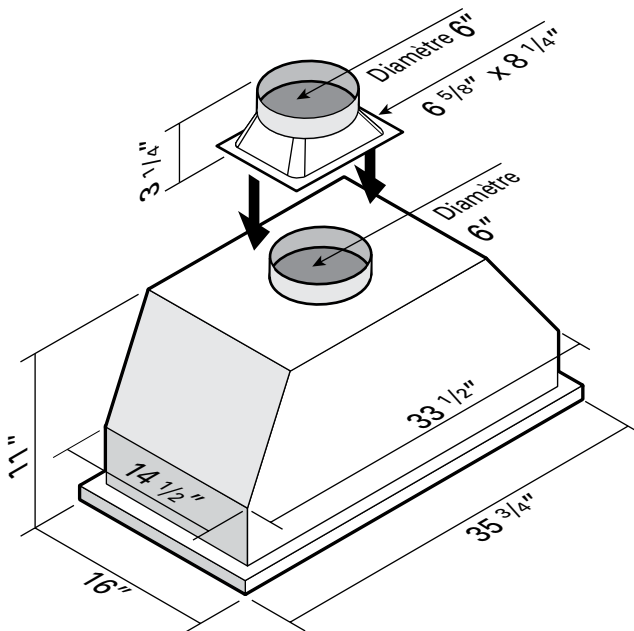
## ELITE-PRO

24036-S • (36"- 860 CFM - Stainless steel)

### SPÉCIFICATIONS TECHNIQUES

- Stainless steel finish
- 860 CFM
- Noise level: low speed 0.7 to hi 9.0 sones (high speed)
- 3 speed with time delay
- 2 LED bulbs, 5W (incl.)
- Stainless steel baffle filters (incl.)
- 6" round vertical vent exhaust
- Weight: 37 lbs
- Opening required: 14 5/8" x 33 5/8"

### DIMENSIONS



### NOTICE TO THE INSTALLER OR PURCHASER

As indicated on the box, the hood should be connected and tested prior to installation; if the hood works properly at that time but a problem arises after installation, the problem is not due to the hood but to improper installation somewhere between the hood and the outside vent.

#### TYPES OF MALFUNCTION:

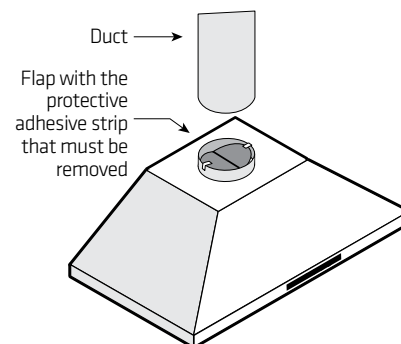
- Noise and vibrations from the hood
- The motor makes a screeching sound and seems to be forcing
- The suction power seems to be approximately the same for all settings.

#### CHECK THE VENT

**The most common problem is range hood flaps that fail to open:**

- Did you remove the protective adhesive strip on the flaps?
- Did you install the duct too tightly over the flaps, preventing them from opening fully?
- Never use screws to attach the duct to the hood outlet. Use duct tape instead
- To quickly check whether the valves are operating properly, run the hood for 30 second then turn it off. After 2 or 3 seconds, you should hear the two flaps close one after the other.

**Note: For more informations see section "Range hoods - Noise and vibrations issues" on our web site.**



4300 Grande-Allée Blvd, Boisbriand  
QC, Canada J7H 1M9

450 979-0667  
info@lumifaro.com  
www.lumifaro.com

CLIENT:
PROJECT:
DATE: