

PAR-30L LED BULBS

2 YEARS WARRANTY



For LEDPAR30L-11W-30K only

DIMMABLE

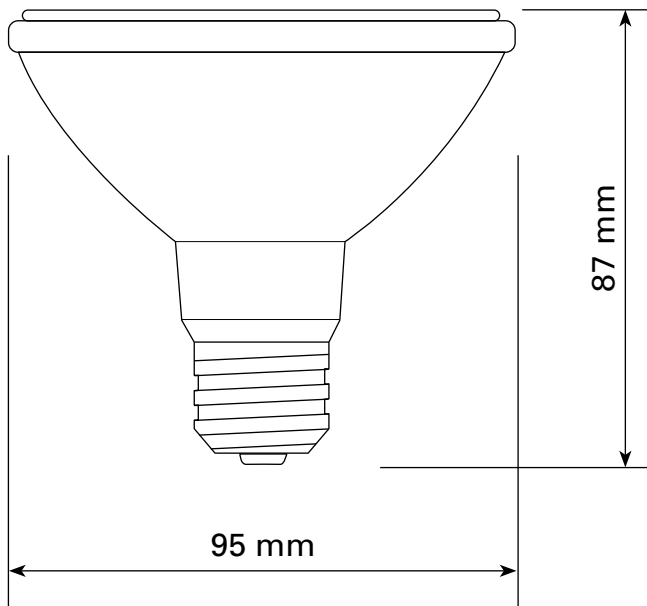
LEDPAR30L-11W / 30K AND 40K



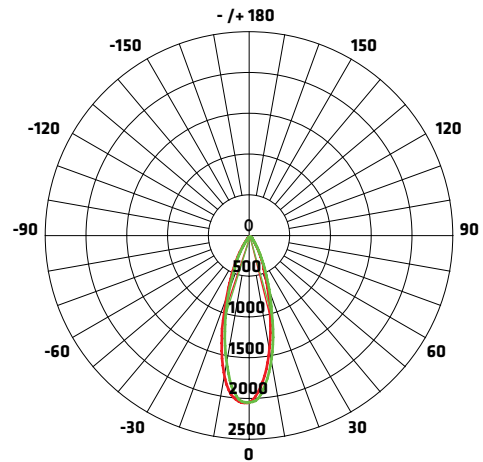
TECHNICAL SPECIFICATIONS

- 11 WATTS (Equivalent to 75W)
- 120 VOLTS
- 800 LUMENS
- LED: 9 pcs
- Degrees Kelvin: 3000K / 4000K
- Beam angle: 40°
- CRI: 80
- Bulb color: White

DIMENSIONS



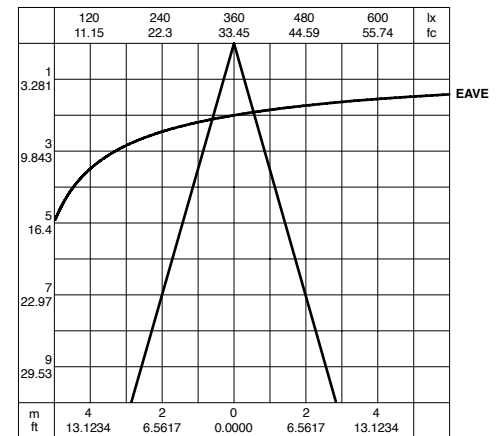
LUMINOUS INTENSITY DISTRIBUTION DIAGRAM



AVERAGE BEAM ANGLE (50%): 32.7°
Unit: CD — C0/180,32.7° — C90/270,32.8°

FIGURE AAI

Flux out: 397.0 lm



Note: The curves indicate the illuminated area and the average illumination when the luminaire is at different distance.

While our LED bulbs function with most dimmers and dimmers generally have a maximum 150-Watt rating for LED bulbs, we strongly recommend that you not exceed 80% of this capacity in order to avoid lighting flicker when the dimmer is at its lowest setting. For example, we recommend a maximum of 15 8-Watt PAR20 bulbs (total 120 Watts).

LUMIFARO

4300 Grande-Allée Blvd, Boisbriand
QC, Canada J7H 1M9

450 979-0667
info@lumifaro.com
www.lumifaro.com

CLIENT:
PROJECT:
DATE: