

# PROFESSIONAL RANGE HOODS / UNDER-CABINET

## PRO DESIGNER

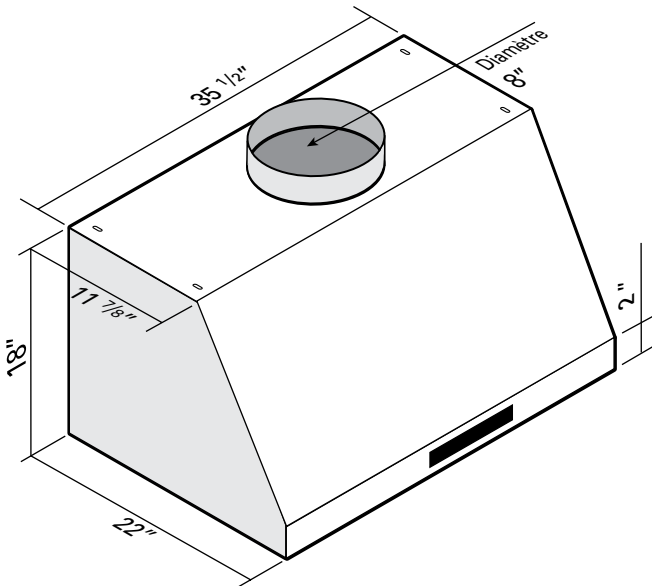
**24836-S • (36"- 1000 CFM - Stainless steel)**

Optional chimney

### TECHNICAL SPECIFICATIONS

- 1000 CFM
- Noise level: low speed 0.9 to hi 11.0 sones (high speed)
- 4-speed electronic control panel, LCD - Clock
- 2 LED bulbs, 2W, with 2 light levels (incl.)
- Stainless steel baffle filters (incl.)
- 8" vent exhaust
- Chimney extension available. 12"x 12"x 36" (#C24836 Optional)

### DIMENSIONS



### NOTICE TO THE INSTALLER OR PURCHASER

As indicated on the box, the hood should be connected and tested prior to installation; if the hood works properly at that time but a problem arises after installation, the problem is not due to the hood but to improper installation somewhere between the hood and the outside vent.

#### TYPES OF MALFUNCTION:

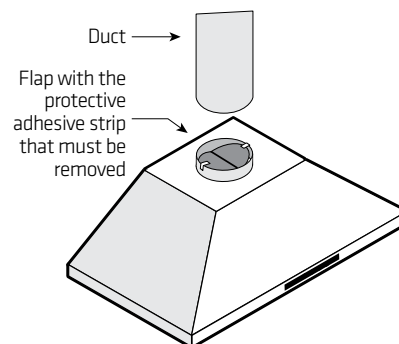
- Noise and vibrations from the hood
- The motor makes a screeching sound and seems to be forcing
- The suction power seems to be approximately the same for all settings.

#### CHECK THE VENT

**The most common problem is range hood flaps that fail to open:**

- Did you remove the protective adhesive strip on the flaps?
- Did you install the duct too tightly over the flaps, preventing them from opening fully?
- Never use screws to attach the duct to the hood outlet. Use duct tape instead
- To quickly check whether the valves are operating properly, run the hood for 30 second then turn it off. After 2 or 3 seconds, you should hear the two flaps close one after the other.

**Note: For more informations see section " Range hoods - Noise and vibrations issues " on our web site.**



4300 Grande-Allée Blvd, Boisbriand  
QC, Canada J7H 1M9

450 979-0667  
info@lumifaro.com  
www.lumifaro.com

CLIENT:
PROJECT:
DATE: