

3933

SQUARE SHOWER TRIM

LED-10W

For insulated or non insulated ceilings

50W-GU-10 HALOGEN

For non insulated ceilings only

FOR 3 5/8" HOUSINGS

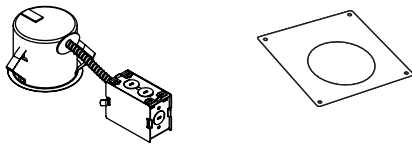
TECHNICAL SPECIFICATIONS

- Colours: WH-White, BS-Brushed steel, BK-Black, CH-Chrome
- Beam angle adjustment: \varnothing

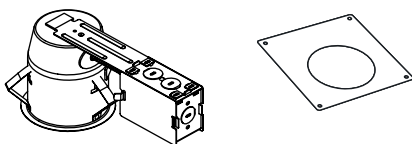
HOUSINGS REQUIRED

1. For insulated or non insulated ceilings

- Housing LP-358-IC + plaster frame PF-378

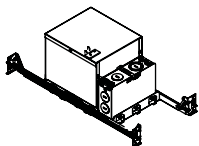


- Housing GU-358-IC + plaster frame PF-378



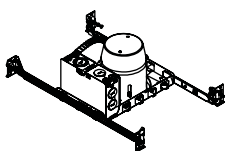
2. For insulated ceilings (plaster frame not required)

- Housing IB-358

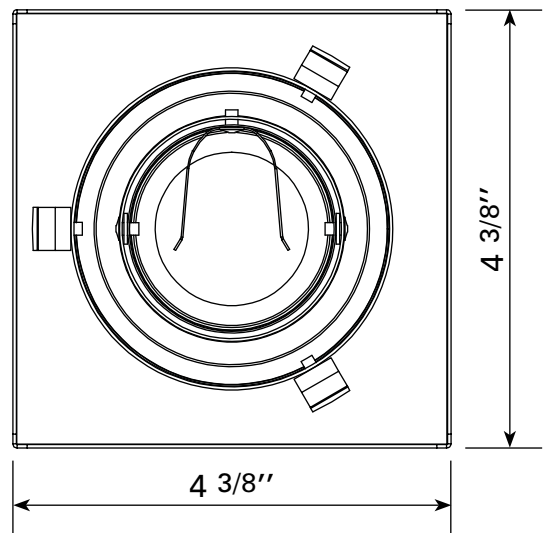
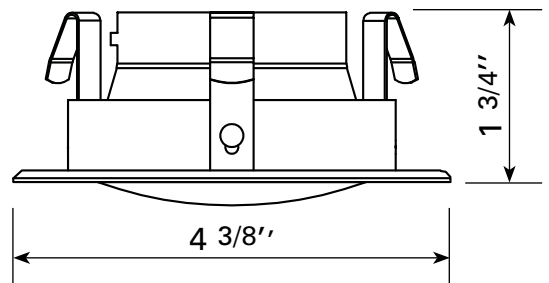


3. Commercial housing (plaster frame not required) (Not recommend for insulated ceilings)

- Housing NC-358



SIZES / TRIM



CLIENT:
PROJECT:
DATE: