

GU-10 LED BULBS

25 000 HOURS



For LEDGU10-7WG-30K only

DIMMABLE

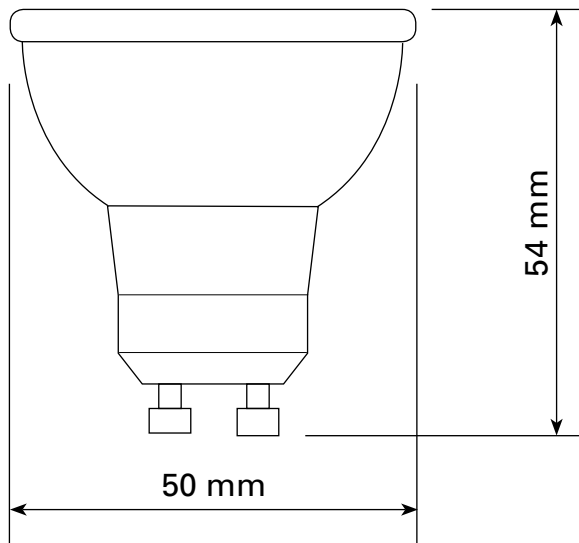
LEDGU10-7WG / 30K AND 40K



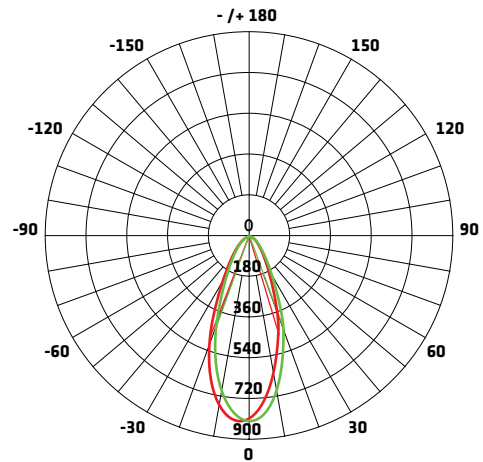
TECHNICAL SPECIFICATIONS

- 7 WATTS (Equivalent to 50W)
- 120 VOLTS
- 500 LUMENS
- LED: 1 Cob
- Degrees Kelvin: 3000K / 4000K
- Beam angle: 38°
- CRI: 80
- Bulb color: All glass

DIMENSIONS



LUMINOUS INTENSITY DISTRIBUTION DIAGRAM

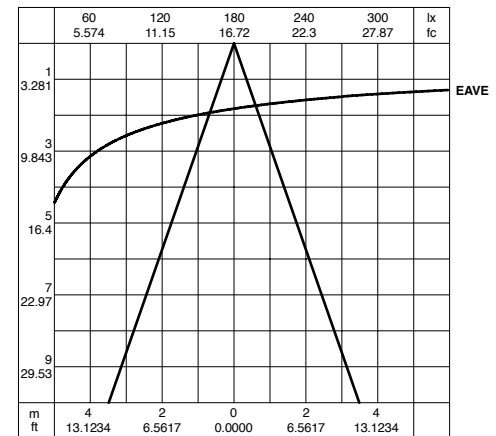


AVERAGE BEAM ANGLE (50%): 39.0°

Unit: CD — C0/180,38.5° — C90/270,39.5°

FIGURE AAI

Flux out: 227.0 lm



Note: The curves indicate the illuminated area and the average illumination when the luminaire is at different distance.

While our LED bulbs function with most dimmers and dimmers generally have a maximum 150-Watt rating for LED bulbs, we strongly recommend that you not exceed 80% of this capacity in order to avoid lighting flicker when the dimmer is at its lowest setting. For example, we recommend a maximum of 15 8-Watt PAR20 bulbs (total 120 Watts).



4300 Grande-Allée Blvd, Boisbriand
QC, Canada J7H 1M9

450 979-0667
info@lumifaro.com
www.lumifaro.com

CLIENT:
PROJECT:
DATE: